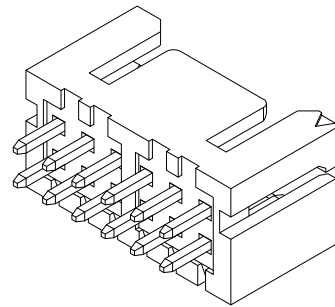
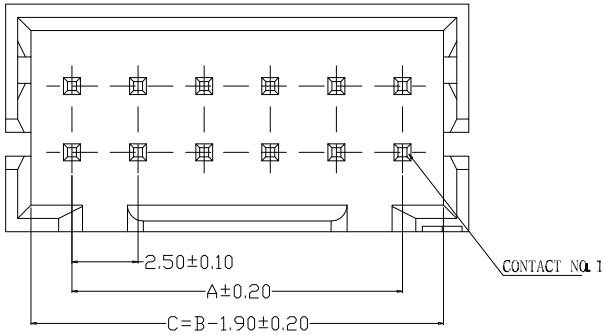
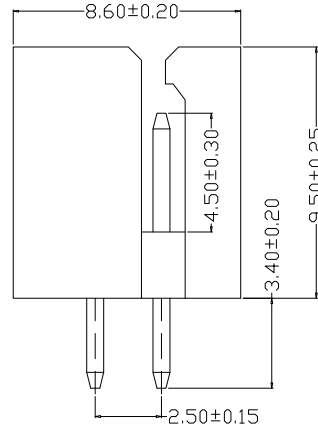
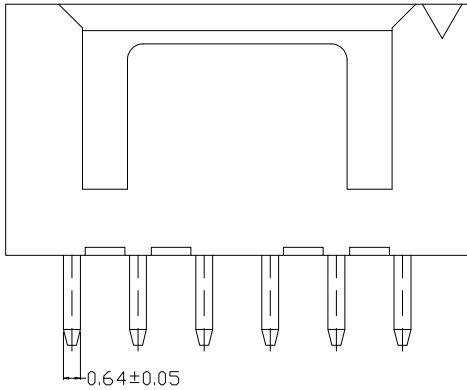
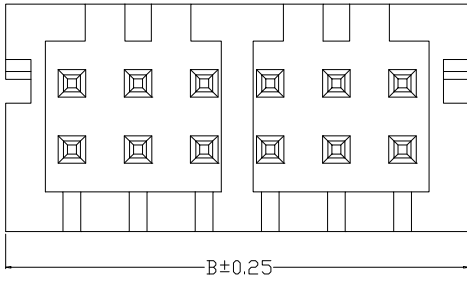


仅供参考

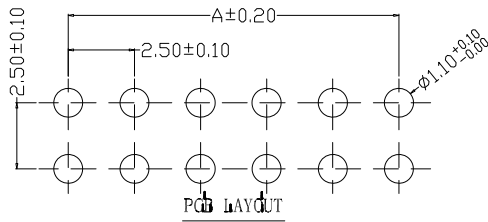
REV.	REVISION RECORD	DATE
A0	新图面发行	2017.06.16

主要技术参数 Main Specifications

- 线数 (Poles): 04~24, 40
- 接触电阻 (Contact resistance): $\leq 30m\Omega$
- 绝缘电阻 (Insulation resistance): $\geq 1000M\Omega$
- 额定电压 (Rated voltage): 250V AC DC
- 额定电流 (Rated current): 3.0A AC DC
- 耐电压 (Withstand Voltage): 800V AC/minute
- 温度范围 (Temperature Range): $-25^{\circ}C \sim +85^{\circ}C$



PIN	Dimensions	
	A	B
2*2P	2.50	7.50
2*3P	5.00	10.00
2*4P	7.50	12.50
2*5P	10.00	15.00
2*6P	12.50	17.50
2*7P	15.00	20.00
2*8P	17.50	22.50
2*9P	20.00	25.00
2*10P	22.50	27.50
2*11P	25.00	30.00
2*12P	27.50	32.50
2*20P	47.50	52.50



ITEM	COMPONENT	Q'TY	MATERIAL	FINISH
B	CONTACT	2~15 PCS	Brass	Tin-plated
A	PEDESTAL	1 PCS	PA66	COLOR:BEIGE

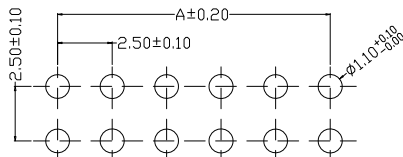
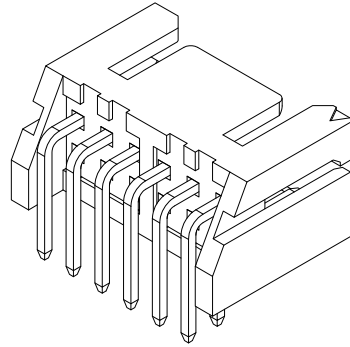
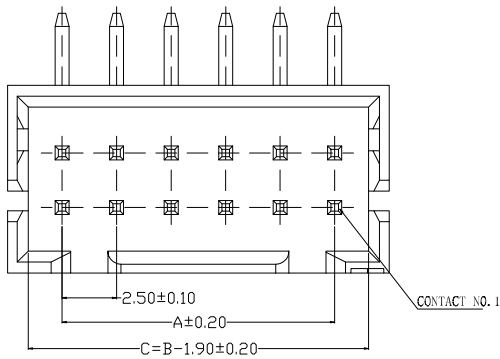
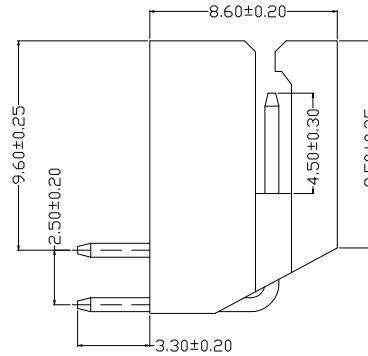
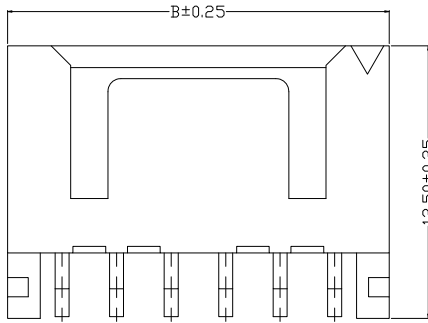
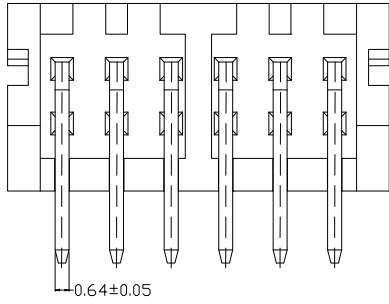
	GENERAL TOLERANCES		SCALE: 1:1	NAME	DATE	深圳市思拓展电子有限公司 SHENZHEN SINOTOP ELECTRONICS CO., LTD 公司地址: www.szstuo.cn 公司电话: 0755-23765350 邮 箱: 2850175982@qq.com 公司传真: 0755-23765341	PART. NO: ST-WF-250-008A	
	LINEAR	ANGLES	APPROVED				DWG. NO:	
	0.0±0.30	X° REF±6°	DESIGNER				REV: A0 SHEET: 1/1	
	UNIT: MM	0.00±0.20	X° ±3°	DRAWN	肖坤权		2017.06.16	TITLE: 2.50mmPITCH 180° WAFER DIP TYPE
SIZE: A4	0.000±0.10	X° X'±2°						

仅供参考

REV.	REVISION RECORD	DATE
A0	新图面发行	2017. 06. 16

主要技术参数 Main Specifications

线 数 (Poles): 04~24, 40
 接触电阻 (Contact resistance): $\leq 30m\Omega$
 绝缘电阻 (Insulation resistance): $\geq 1000M\Omega$
 额定电压 (Rated voltage): 250V AC DC
 额定电流 (Rated current): 3.0A AC DC
 耐 电压 (Withstand Voltage): 800V AC/minute
 温度范围 (Temperature Range): $-25^{\circ}C \sim +85^{\circ}C$



PCB LAYOUT

PIN	Dimensions	
	A	B
2*2P	2.50	7.50
2*3P	5.00	10.00
2*4P	7.50	12.50
2*5P	10.00	15.00
2*6P	12.50	17.50
2*7P	15.00	20.00
2*8P	17.50	22.50
2*9P	20.00	25.00
2*10P	22.50	27.50
2*11P	25.00	30.00
2*12P	27.50	32.50
2*20P	47.50	52.50

ITEM	COMPONENT	Q'TY	MATERIAL	FINISH
B	CONTACT	2~15 PCS	Brass	Tin-plated
A	PEDESTAL	1 PCS	PA66	COLOR:BEIGE

	GENERAL TOLERANCES		SCALE: 1:1	NAME	DATE	深圳市思拓展电子有限公司 SHENZHEN SINOTOP ELECTRONICS CO., LTD 公司网址: www.szstuo.cn 公司电话: 0755-23765350 邮 箱: 2850175982@qq.com 公司传真: 0755-23765341	PART. NO:
	LINEAR	ANGLES	APPROVED				ST-WF-250-008AW
	0.0±0.30	X° REF±6°	DESIGNER				DWG. NO:
	UNIT: MM	0.00±0.20	X° ±3°	DRAWN	肖坤权		2017. 06. 16

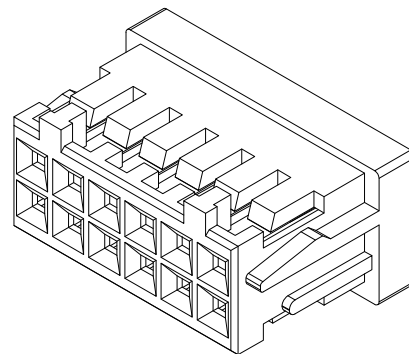
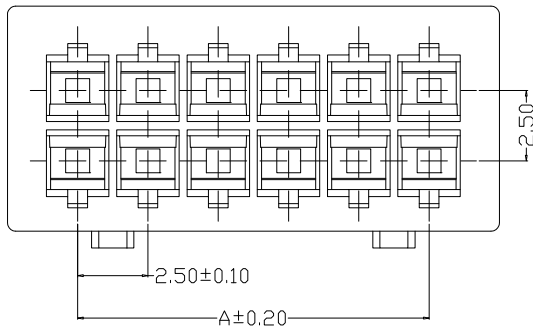
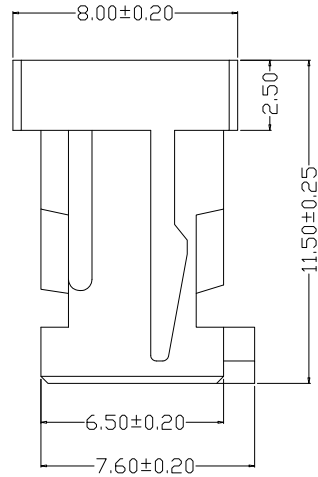
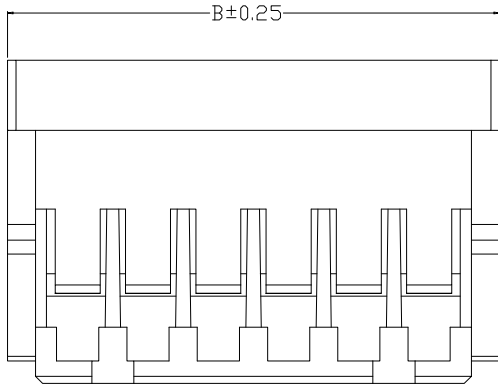
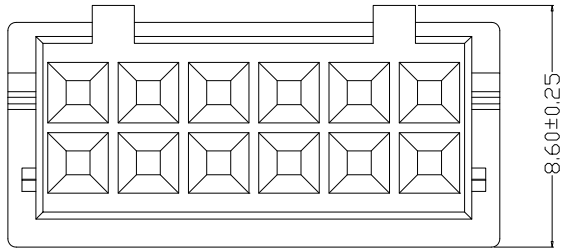
TITLE: 2.50mmPITCH 90° WAFER DIP TYPE

仅供参考

REV.	REVISION RECORD	DATE
A0	新图面发行	2017.06.16

主要技术参数 Main Specifications

线数 (Poles): 04~24, 40
 接触电阻 (Contact resistance): $\leq 30m\Omega$
 绝缘电阻 (Insulation resistance): $\geq 1000M\Omega$
 额定电压 (Rated voltage): 250V AC DC
 额定电流 (Rated current): 3.0A AC DC
 耐电压 (Withstand Voltage): 800V AC/minute
 温度范围 (Temperature Range): $-25^{\circ}C \sim +85^{\circ}C$



PIN	Dimensions	
	A	B
2*2P	2.50	7.50
2*3P	5.00	10.00
2*4P	7.50	12.50
2*5P	10.00	15.00
2*6P	12.50	17.50
2*7P	15.00	20.00
2*8P	17.50	22.50
2*9P	20.00	25.00
2*10P	22.50	27.50
2*11P	25.00	30.00
2*12P	27.50	32.50
2*20P	47.50	52.50

A	HOUSING	1 PCS	PA66	COLOR:BEIGE
ITEM	COMPONENT	Q'TY	MATERIAL	FINISH

	GENERAL TOLERANCES		SCALE: 1:1	NAME	DATE
	LINEAR	ANGLES	APPROVED		
	0.0±0.30	X° REF±6°	DESIGNER		
	UNIT: MM	0.00±0.20	X° ±3°	DRAWN	肖坤权
SIZE: A4	0.000±0.10	X° X'±2°			

深圳市思拓展电子有限公司
 SHENZHEN SINOTOP ELECTRONICS CO., LTD
 公司网址: www.szstuo.cn 公司电话: 0755-23765350
 邮 箱: 2850175982@qq.com 公司传真: 0755-23765341

TITLE: 2.50mmPITCH HOUSING

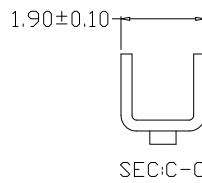
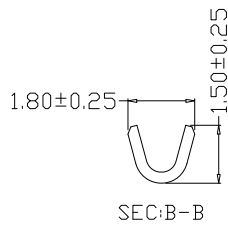
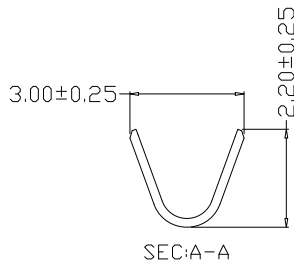
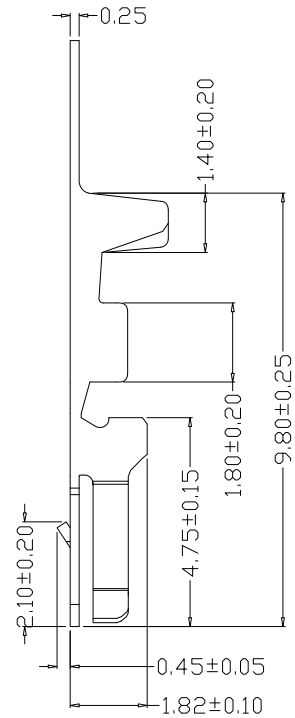
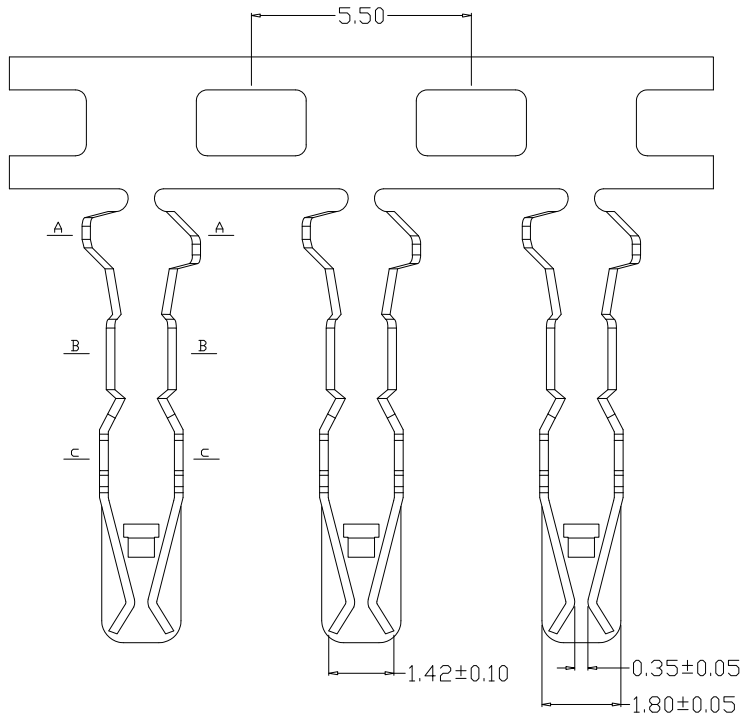
PART. NO:	ST-WF-250-008Y
DWG. NO:	
REV:	A0
SHEET:	1/1

仅供参考

REV.	REVISION RECORD	DATE
A0	新图面发行	2017.06.16

主要技术参数 Main Specifications

接触电阻 (Contact resistance): $\leq 30m\Omega$
 绝缘电阻 (Insulation resistance): $\geq 1000M\Omega$
 额定电压 (Rated voltage): 250V AC DC
 额定电流 (Rated current): 3.0A AC DC
 耐电压 (Withstand Voltage): 800V AC/minute
 温度范围 (Temperature Range): $-25^{\circ}C \sim +85^{\circ}C$



Wire Range	Insulation O.D.	Material	Finish	Qty/Reel
AWG #22~#30		Phosphor bronze	Tin-plated	

	GENERAL TOLERANCES		SCALE: 1:1	NAME	DATE	深圳市思拓展电子有限公司 SHENZHEN SINOTOP ELECTRONICS CO., LTD 公司网址: www.szstuo.cn 公司电话: 0755-23765350 邮箱: 2850175982@qq.com 公司传真: 0755-23765341	PART. NO:
	LINEAR	ANGLES	APPROVED				ST-WF-250-008T
UNIT: MM	0.00±0.20	X° ±3°	DESIGNER			TITLE:	DWG. NO:
SIZE: A4	0.000±0.10	X° X' ±2°	DRAWN	肖坤权	2017.06.16	2.50mmPITCH TERMINAL	REV: A0 SHEET: 1/1