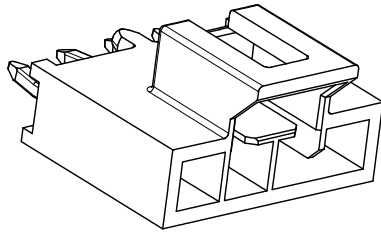


仅供参考

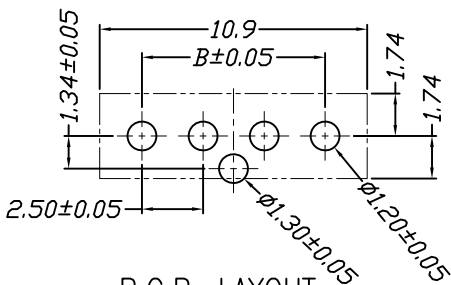
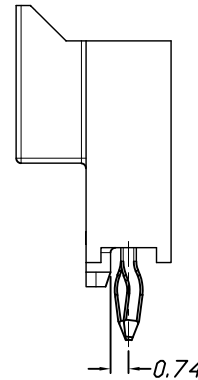
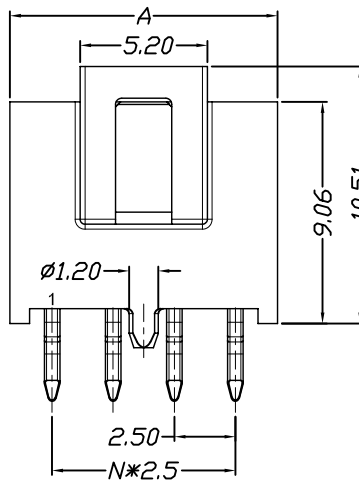
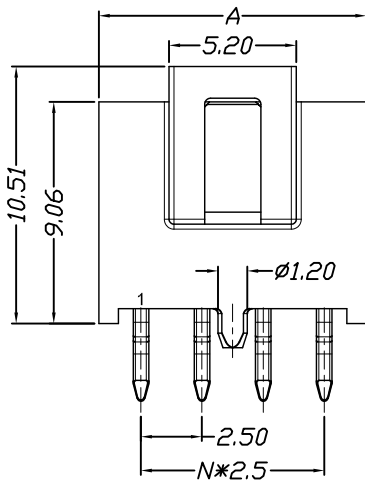
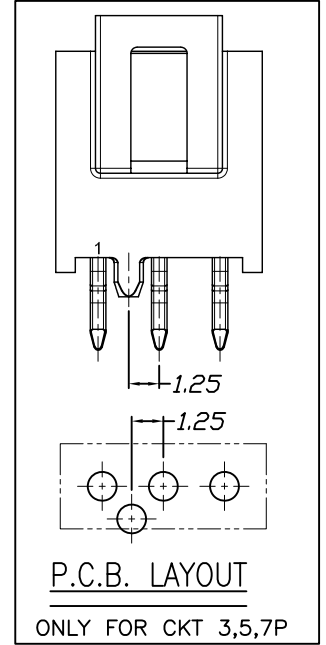
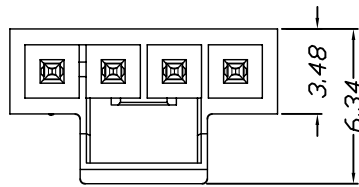
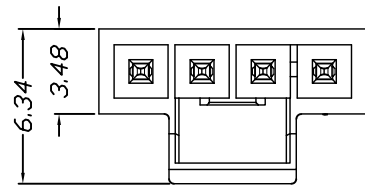
REV.	REVISION RECORD	DATE
A0	新图面发行	2017.06.16

Specifications:  
 Voltage Rating : 250V AC/DC  
 Current Rating : 3A AC,DC  
 Withstand Voltage : 1500V AC/minute  
 Contact Resistance : 40mΩ(MAX.)  
 Insulation Resistance : 1000MΩ(MIN.)  
 Temperature Range : -40°C~+105°C



STP42508W00-NP\*-A1-\*\*-\*\*

STP42508W01-NP\*-A1-\*\*-\*\*



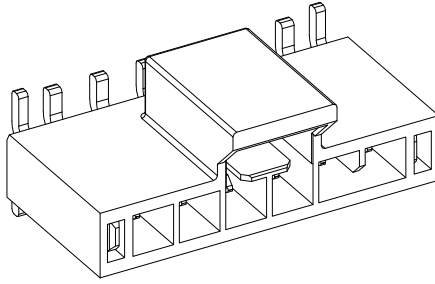
Poles	Dimensions	
	A	B
2P	5.94	2.50
3P	8.44	5.00
4P	10.94	7.50
5P	13.44	10.00
6P	15.94	12.50
7P	18.44	15.00
8P	20.94	17.50

Material	Color	PIN Material
LCP	Black	Brass

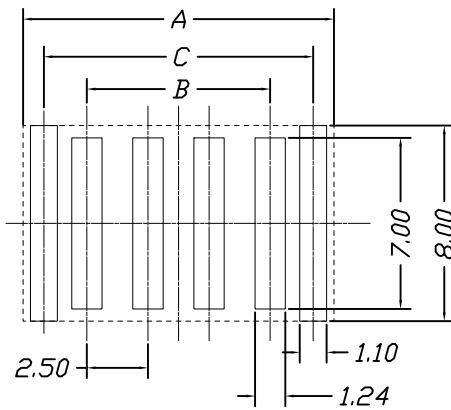
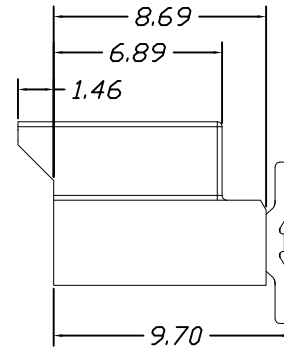
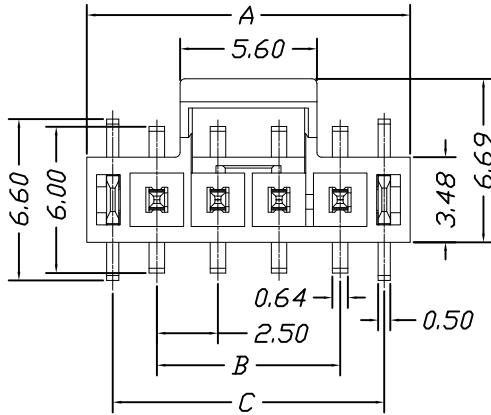
	GENERAL TOLERANCES		SCALE: 1:1	NAME	DATE	深圳市思拓展电子有限公司 SHENZHEN SINOTOP ELECTRONICS CO., LTD 公司网址: www.szstuo.cn 公司电话: 0755-23765350 邮箱: 2850175982@qq.com 公司传真: 0755-23765341	PART NO: STP42508W0X-NPX-A1-XX	
	LINEAR	ANGLES					APPROVED	DWG. NO:
	0.0±0.35	X° REF±6°	DESIGNER					
	UNIT: MM	0.00±0.25	X° ±3°	TITLE: 2.50mm Pitch 180° Wafer DIP Type				
SIZE: A4	0.000±0.15	X° X'±2°	DRAWN	肖坤权	2017.06.16	REV:	A0	SHEET: 1/1

仅供参考

REV.	REVISION RECORD	DATE
A0	新图面发行	2017.06.16



Specifications:  
 Voltage Rating : 250V AC/DC  
 Current Rating : 3A AC,DC  
 Withstand Voltage : 1500V AC/minute  
 Contact Resistance : 40mΩ(MAX.)  
 Insulation Resistance : 1000MΩ(MIN.)  
 Temperature Range : -40°C~+105°C



RECOMMENDED PCB LAYOUT(CONNECTOR SIDE VIEW)  
 THICKNESS=1.60mm MIN. TOLERANCE: 0.05

Poles	Dimensions		
	A	B	C
2P	8.23	2.50	6.11
3P	10.73	5.00	8.61
4P	13.23	7.50	11.11
5P	15.73	10.00	13.61
6P	18.23	12.50	16.11
7P	20.73	15.00	18.61
8P	23.23	17.50	21.11

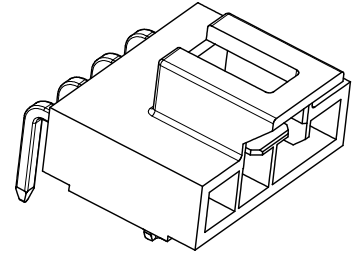
Material	Color	PIN Material
LCP	Black	Brass

	GENERAL TOLERANCES		SCALE: 1:1	NAME	DATE	深圳市思拓展电子有限公司 SHENZHEN SINOTOP ELECTRONICS CO., LTD 公司网址: www.szstuo.cn 公司电话: 0755-23765350 邮箱: 2850175982@qq.com 公司传真: 0755-23765341	PART. NO: STP42508W00-NPX-A2-XX	
	LINEAR	ANGLES	APPROVED				DWG. NO:	
	0.0±0.35	X° REF±6°	DESIGNER				REV: A0	SHEET: 1/1
	UNIT: MM	0.00±0.25	X° ±3°	DRAWN	肖坤权		2017.06.16	
SIZE: A4	0.000±0.15	X° X'±2°				TITLE: 2.50mm Pitch 180° Wafer SMT Type		

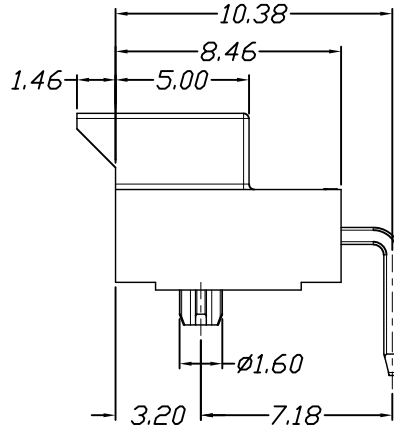
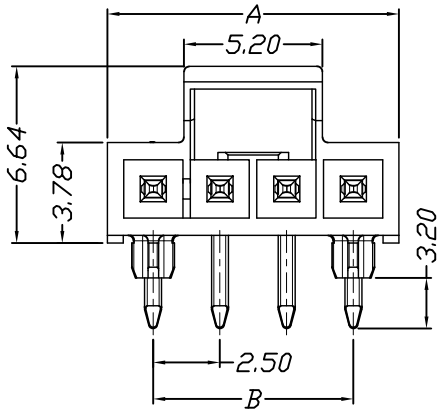
仅供参考

REV.	REVISION RECORD	DATE
A0	新图面发行	2017.06.16

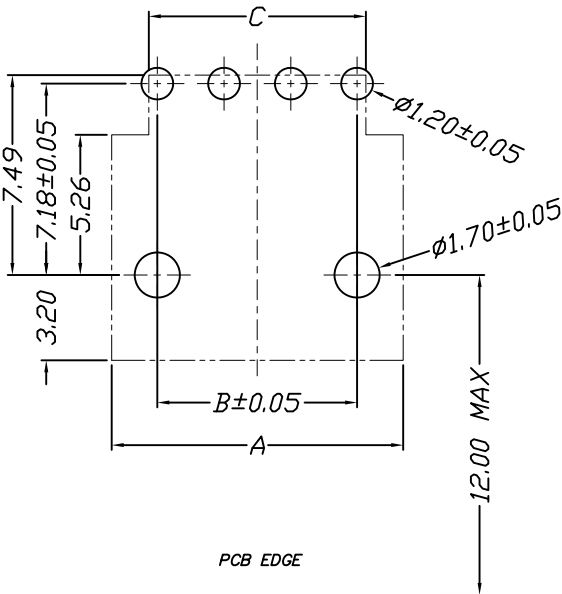
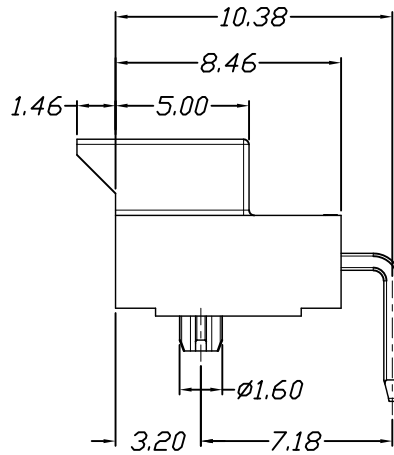
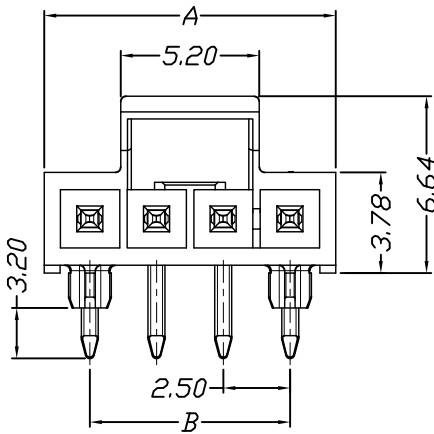
Specifications:  
 Voltage Rating : 250V AC/DC  
 Current Rating : 3A AC,DC  
 Withstand Voltage : 1500V AC/minute  
 Contact Resistance : 40mΩ(MAX.)  
 Insulation Resistance : 1000MΩ(MIN.)  
 Temperature Range : -40°C~+105°C



STP42508W90-NP\*-A1-\*\*-\*\*




STP42508W91-NP\*-A1-\*\*-\*\*



P.C.B. LAYOUT

Poles	Dimensions		
	A	B	C
2P	5.94	2.50	3.14
3P	8.44	5.00	5.64
4P	10.94	7.50	8.14
5P	13.44	10.00	10.64
6P	15.94	12.50	13.14
7P	18.44	15.00	15.64
8P	20.94	17.50	18.14

Material	Color	PIN Material
LCP	Black	Brass

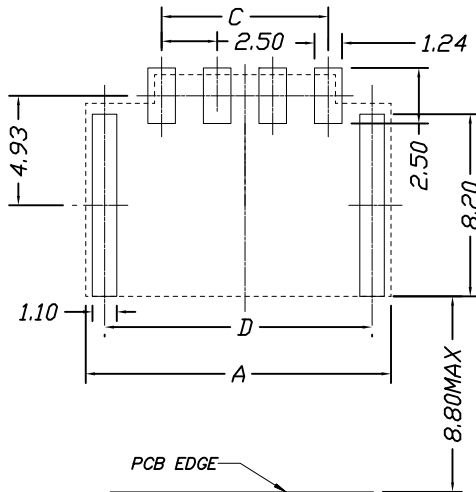
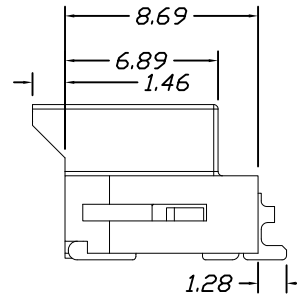
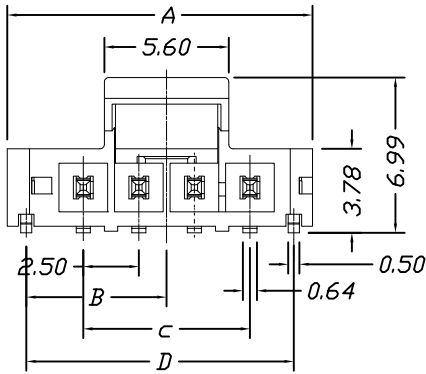
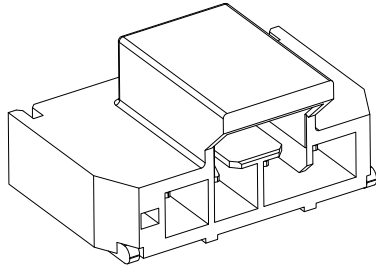
8	GENERAL TOLERANCES		SCALE: 1:1	NAME	DATE	 深圳市思拓展电子有限公司 SHENZHEN SINOTOP ELECTRONICS CO., LTD 公司网址: www.szsituo.cn 公司电话: 0755-23765350 邮 箱: 2850175982@qq.com 公司传真: 0755-23765341	PART. NO:
	LINEAR	ANGLES	APPROVED				STP42508W9X-NPX-A1-XX
	0.0±0.35	X° REF±6°	DESIGNER				DWG. NO:
	UNIT: MM	0.00±0.25	X° ±3°	DRAWN	肖坤权		2017.06.16
SIZE: A4	0.000±0.15	X° X'±2°				TITLE: 2.50mm Pitch 90° Wafer DIP Type	

A B C D E F G H

仅供参考

REV.	REVISION RECORD	DATE
A0	新图面发行	2017.06.16

Specifications:  
 Voltage Rating : 250V AC/DC  
 Current Rating : 3A AC,DC  
 Withstand Voltage : 1500V AC/minute  
 Contact Resistance : 40mΩ(MAX.)  
 Insulation Resistance : 1000MΩ(MIN.)  
 Temperature Range : -40°C~+105°C



RECOMMENDED PCB LAYOUT(CONNECTOR SIDE VIEW)  
 THICKNESS=1.60mm MIN. TOLERANCE:0.05

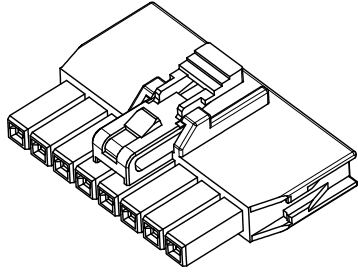
Poles	Dimensions			
	A	B	C	D
2P	8.74	3.82	2.50	7.04
3P	11.24	5.07	5.00	9.54
4P	13.74	6.32	7.50	12.04
5P	16.24	7.57	10.00	14.54
6P	18.74	8.82	12.50	17.04
7P	21.24	10.07	15.00	19.54
8P	23.74	11.32	17.50	22.04

Material	Color	PIN Material
LCP	Black	Brass

	GENERAL TOLERANCES		SCALE: 1:1	NAME	DATE	深圳市思拓展电子有限公司 SHENZHEN SINOTOP ELECTRONICS CO., LTD 公司网址: www.szstuo.cn 公司电话: 0755-23765350 邮箱: 2850175982@qq.com 公司传真: 0755-23765341	PART. NO: STP42508W90-NPX-A2-XX	
	LINEAR	ANGLES	APPROVED				DWG. NO:	
	0.0±0.35	X° REF±6°	DESIGNER				REV: A0	SHEET: 1/1
	UNIT: MM	0.00±0.25	X° ±3°	DRAWN	肖坤权		2017.06.16	
SIZE: A4	0.000±0.15	X° X'±2°	TITLE: 2.50mm Pitch 90° Wafer SMT Type					

仅供参考

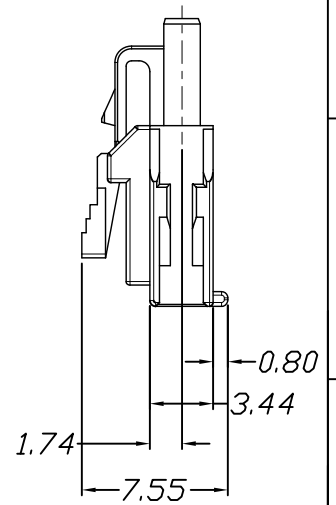
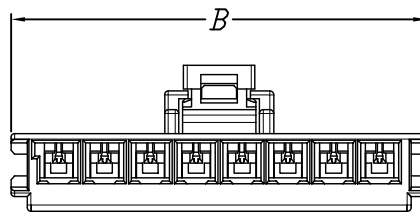
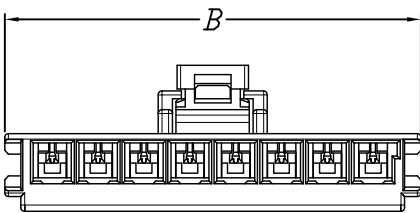
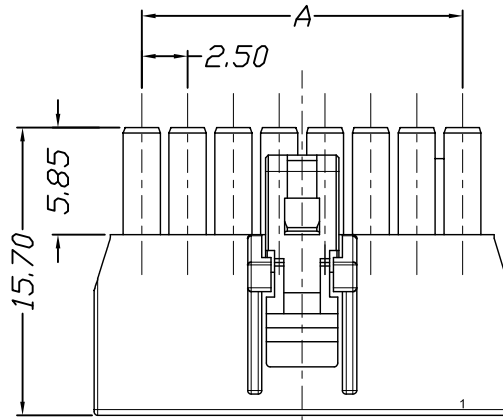
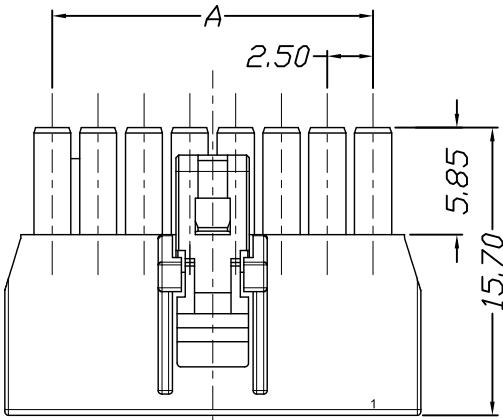
REV.	REVISION RECORD	DATE
A0	新图面发行	2017.06.16



Specifications:  
 Voltage Rating : 250V AC/DC  
 Current Rating : 3A AC,DC  
 Withstand Voltage : 1500V AC/minute  
 Contact Resistance : 40mΩ(MAX.)  
 Insulation Resistance : 1000MΩ(MIN.)  
 Temperature Range : -40°C~+105°C

STP42508H00-NP\*-L-PT

STP42508H00-NP\*-R-PT



Poles	Dimensions	
	A	B
2P	2.50	7.70
3P	5.00	10.20
4P	7.50	12.70
5P	10.00	15.20
6P	12.50	17.70
7P	15.00	20.20
8P	17.50	22.70

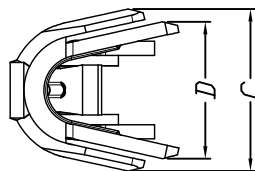
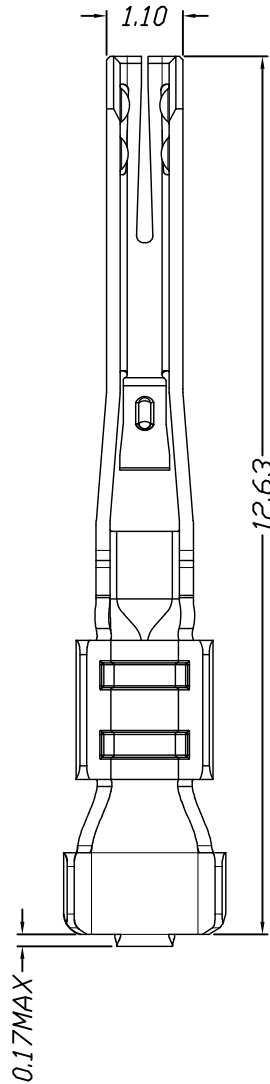
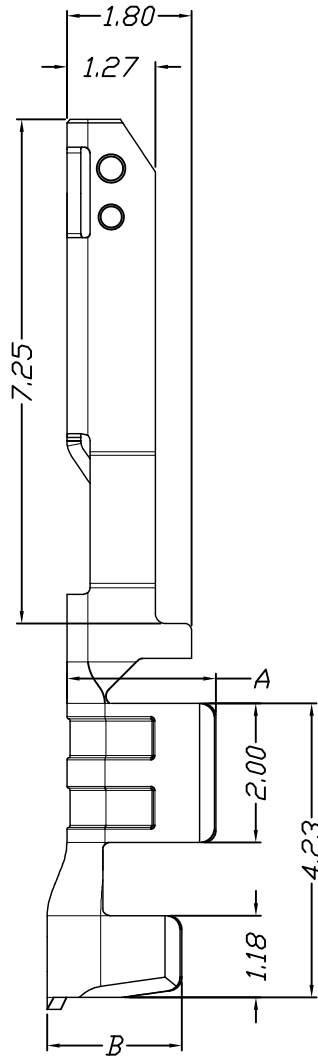
Material	Color
PBT UL94V-0	BLACK

	GENERAL TOLERANCES		SCALE: 1:1	NAME	DATE	深圳市思拓展电子有限公司 SHENZHEN SINOTOP ELECTRONICS CO., LTD 公司网址: www.szstuo.cn 公司电话: 0755-23765350 邮 箱: 2850175982@qq.com 公司传真: 0755-23765341	PART. NO: STP42508H00-NPX-X-XX
	LINEAR	ANGLES					
UNIT: MM	0.0±0.35	X° REF±6°	DESIGNER			TITLE:	DWG. NO:
SIZE: A4	0.000±0.25	X° ±3°	DRAWN	肖坤权	2017.06.16	2.50mm PITCH Housing	REV: A0 SHEET: 1/1
A	B	C	D	E	F	G	H

仅供参考

REV.	REVISION RECORD	DATE
A0	新图面发行	2017.06.16

Specifications:  
 Voltage Rating : 250V AC/DC  
 Current Rating : 3A AC,DC  
 Withstand Voltage : 1500V AC/minute  
 Contact Resistance : 40mΩ(MAX.)  
 Insulation Resistance : 1000MΩ(MIN.)  
 Temperature Range : -40°C~+105°C



Part No.	Dimensions			
	A	B	C	D
STP42508TOP-**	2.14	1.94	2.33	1.97
STP42508TIP-**	1.45	2.00	2.12	1.39

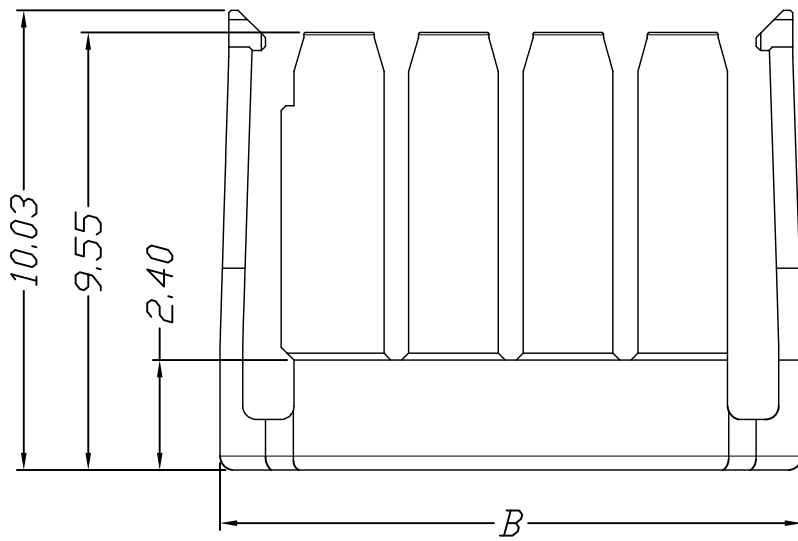
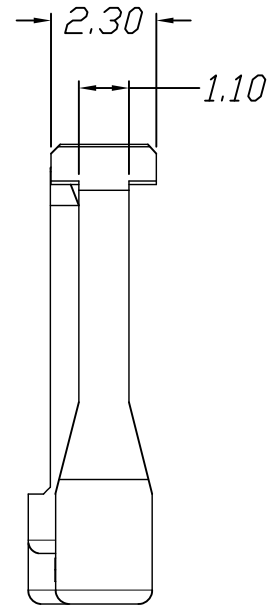
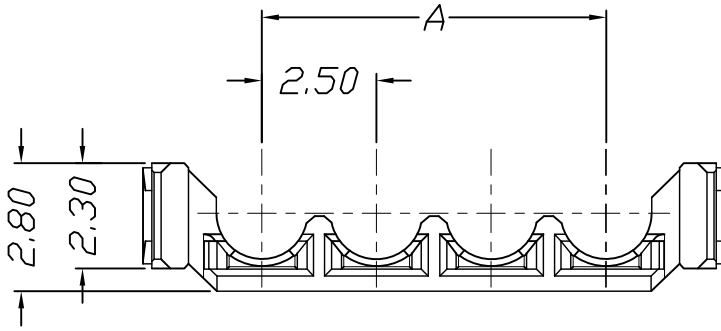
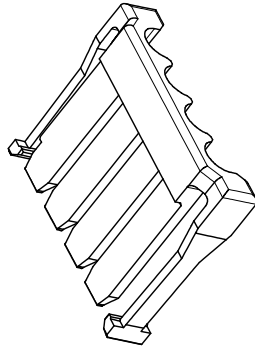
Part No	Wire Range	Insulation O.D.	Material	Finish	Qty/Reel
STP42508TOP-**	AWG#22~#20	1.50mm (Max)	Phosphor bronze	Au or Sn	
STP42508TIP-**	AWG#24~#26				

	GENERAL TOLERANCES		SCALE: 1:1	NAME	DATE	深圳市思拓展电子有限公司 SHENZHEN SINOTOP ELECTRONICS CO., LTD 公司网址: www.szstuo.cn 公司电话: 0755-23765350 邮箱: 2850175982@qq.com 公司传真: 0755-23765341	PART. NO: STP42508T*P-XX	
	LINEAR	ANGLES	APPROVED				DWG. NO:	
	0.0±0.35	X° REF±6°	DESIGNER				TITLE: 2.50mm PITCH Crimp Terminal	REV: A0 SHEET: 1/1
	UNIT: MM	0.00±0.25	X° ±3°	DRAWN	肖坤权		2017.06.16	
SIZE: A4	0.000±0.15	X° X'±2°						

仅供参考

REV.	REVISION RECORD	DATE
A0	新图面发行	2017.06.16

Specifications:  
 Voltage Rating : 250V AC/DC  
 Current Rating : 3A AC,DC  
 Withstand Voltage : 1500V AC/minute  
 Contact Resistance : 40mΩ(MAX.)  
 Insulation Resistance : 1000MΩ(MIN.)  
 Temperature Range : -40°C~+105°C



Poles	Dimensions	
	A	B
2P	2.50	7.70
3P	5.00	10.20
4P	7.50	12.70
5P	10.00	15.20
6P	12.50	17.70
7P	15.00	20.20
8P	17.50	22.70

Material	Color
PA66 UL94V-0	BLACK

	GENERAL TOLERANCES		SCALE: 1:1	NAME	DATE	深圳市思拓展电子有限公司 SHENZHEN SINOTOP ELECTRONICS CO., LTD 公司网址: www.szstuo.cn 公司电话: 0755-23765350 销售热线: 2850175982@qq.com 公司传真: 0755-23765341	PART. NO: STP42508R00-NPX-66
	LINEAR	ANGLES					
UNIT: MM	0.00±0.35	X° REF±6°	DESIGNER			TITLE:	DWG. NO:
SIZE: A4	0.000±0.15	X° X'±2°	DRAWN	肖坤权	2017.06.16	2.50mm PITCH Retainer	REV: A0 SHEET: 1/1