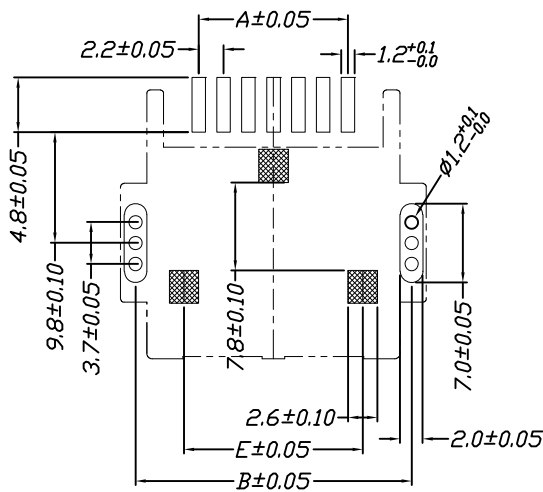
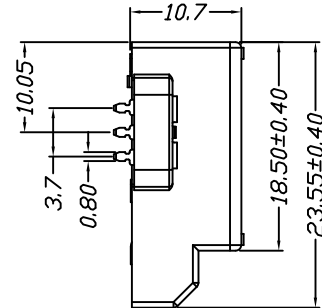
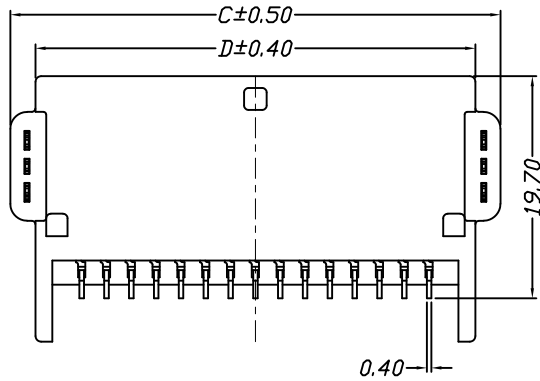
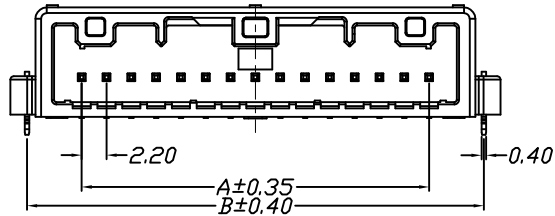
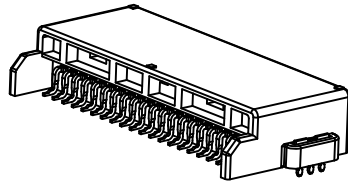


仅供参考

REV.	REVISION RECORD	DATE
A0	新图面发行	2017.06.16

Specifications:
 Voltage Rating : 250V AC/DC
 Current Rating : 3A AC,DC
 Withstand Voltage : 1000V AC/minute
 Contact Resistance : 30mΩ(MAX.)
 Insulation Resistance : 1000MΩ(MIN.)
 Temperature Range : -40°C~+85°C



P.C.B. LAYOUT

Poles	Dimensions				
	A	B	C	D	E
3P	4.40	15.60	18.20	13.60	7.00
5P	8.80	20.00	22.60	18.00	11.40
7P	13.20	24.40	27.00	22.40	15.80
9P	17.60	28.80	31.40	26.80	20.20
11P	22.00	33.20	35.80	31.20	24.60
13P	26.40	37.60	40.20	35.60	29.00
15P	30.80	42.00	44.60	40.00	33.40

Material	Color	PIN Material	Stator Material
PBT or Nylon	Grey	Brass/Tin-plated	Brass/Tin-plated

	GENERAL TOLERANCES		SCALE: 1:1	NAME	DATE
	LINEAR	ANGLES			
0.0±0.35	X° REF±6°		APPROVED		
UNIT: MM	0.00±0.25	X° ±3°	DESIGNER		
SIZE: A4	0.000±0.15	X° X'±2°	DRAWN	肖坤权	2017.06.16

深圳市思拓展电子有限公司
 SHENZHEN SINOTOP ELECTRONICS CO., LTD
 公司网址: www.szstuo.cn 公司电话: 0755-23765350
 邮箱: 2850175982@qq.com 公司传真: 0755-23765341

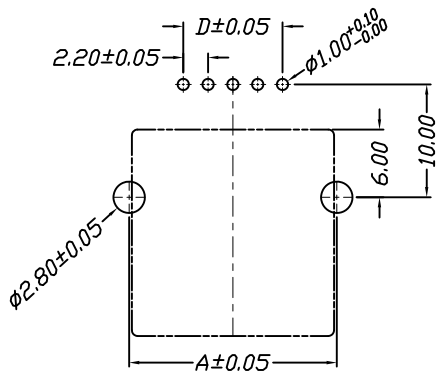
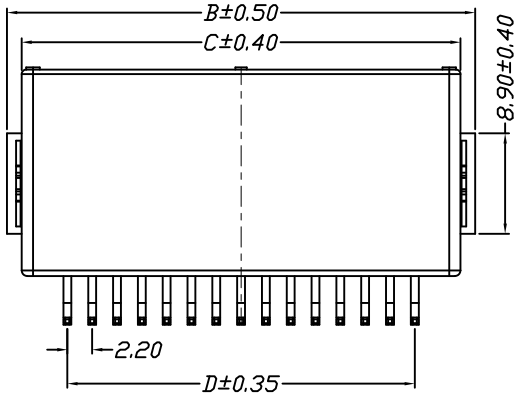
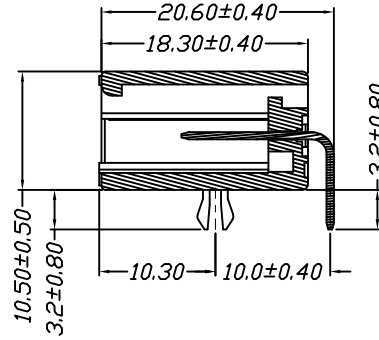
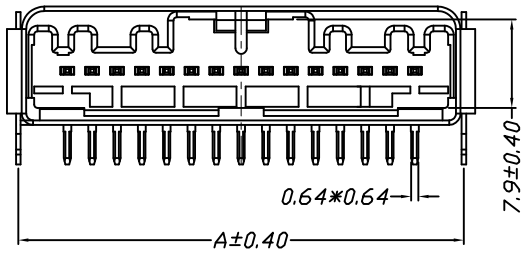
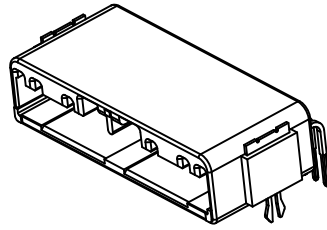
PART NO:	STP42202W90-NPX-A2-XX	
DWG NO:		
REV:	A0	SHEET: 1/1

TITLE:
2.20mm Pitch 90° Single Wafer SMT Type

仅供参考

REV.	REVISION RECORD	DATE
A0	新图面发行	2017.06.16

Specifications:
 Voltage Rating : 250V AC/DC
 Current Rating : 3A AC,DC
 Withstand Voltage : 1000V AC/minute
 Contact Resistance : 30mΩ(MAX.)
 Insulation Resistance : 1000MΩ(MIN.)
 Temperature Range : -40°C~+85°C



P.C.B. LAYOUT

Poles	Dimensions			
	A	B	C	D
3P	14.00	16.00	13.40	4.40
5P	18.40	20.40	17.80	8.80
7P	22.80	24.80	22.20	13.20
9P	27.20	29.20	26.60	17.60
11P	31.60	33.60	31.00	22.00
13P	36.00	38.00	35.40	26.40
15P	40.40	42.40	39.80	30.80

Material	Color	PIN Material
PBT or Nylon	Grey	Brass/Tin-plated

	GENERAL TOLERANCES		SCALE: 1:1	NAME	DATE
	LINEAR	ANGLES			
	0.0±0.35	X° REF±6°	APPROVED		
UNIT: MM	0.00±0.25	X° ±3°	DESIGNER		
SIZE: A4	0.000±0.15	X° X'±2°	DRAWN	肖坤权	2017.06.16

深圳市思拓展电子有限公司
 SHENZHEN SINOTOP ELECTRONICS CO., LTD
 公司网址: www.szstuo.cn 公司电话: 0755-23765350
 电子邮箱: 2850175982@qq.com 公司传真: 0755-23765341

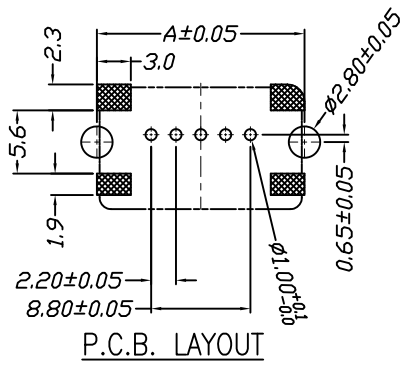
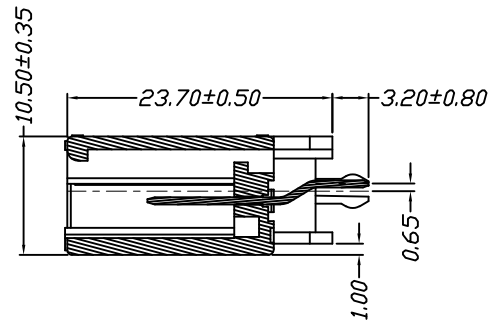
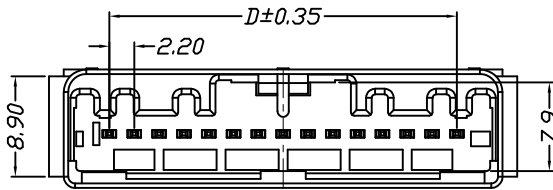
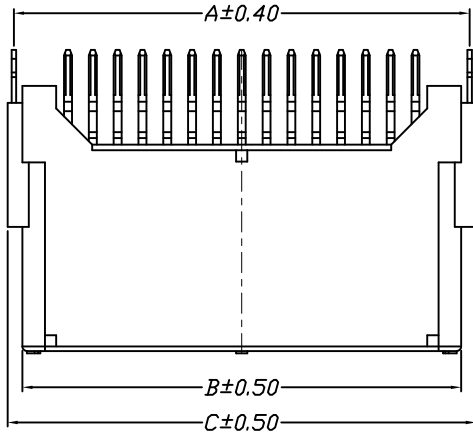
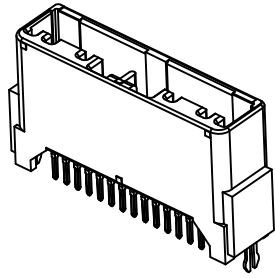
PART. NO:	STP42202W90-NPX-A1-XX	
DWG. NO:		
REV:	A0	SHEET: 1/1

TITLE:
2.20mm Pitch 90° Dula Wafer DIP Type

仅供参考

REV.	REVISION RECORD	DATE
A0	新图面发行	2017.06.16

Specifications:
 Voltage Rating : 250V AC/DC
 Current Rating : 3A AC,DC
 Withstand Voltage : 1000V AC/minute
 Contact Resistance : 30mΩ(MAX.)
 Insulation Resistance : 1000MΩ(MIN.)
 Temperature Range : -40°C~+85°C



Poles	Dimensions			
	A	B	C	D
3P	14.00	13.40	16.00	4.40
5P	18.40	17.80	20.40	8.80
7P	22.80	22.20	24.80	13.20
9P	27.20	26.60	29.20	17.60
11P	31.60	31.00	33.60	22.00
13P	36.00	35.40	38.00	26.40
15P	40.40	39.80	42.40	30.80

Material	Color	PIN Material
PBT or Nylon	Grey	Brass/Tin-plated

	GENERAL TOLERANCES		SCALE: 1:1	NAME	DATE
	LINEAR	ANGLES			
	0.0±0.35	X° REF±6°	APPROVED		
UNIT: MM	0.00±0.25	X° ±3°	DESIGNER		
SIZE: A4	0.000±0.15	X° X'±2°	DRAWN	肖坤权	2017.06.16

深圳市思拓展电子有限公司
 SHENZHEN SINOTOP ELECTRONICS CO., LTD
 公司网址: www.szsituo.cn 公司电话: 0755-23765350
 邮箱: 2850175982@qq.com 公司传真: 0755-23765341

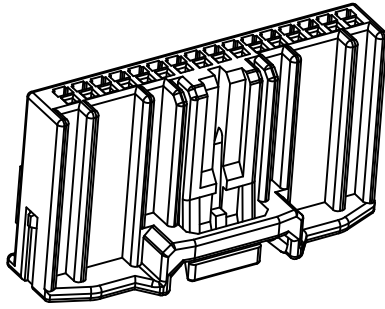
PART. NO:
STP42202W00-NPX-A1-XX

TITLE:
2.20mm Pitch 180° Single Wafer DIP Type

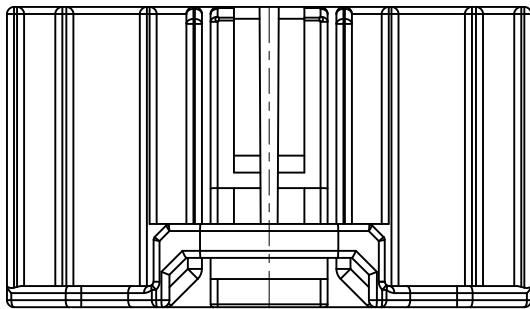
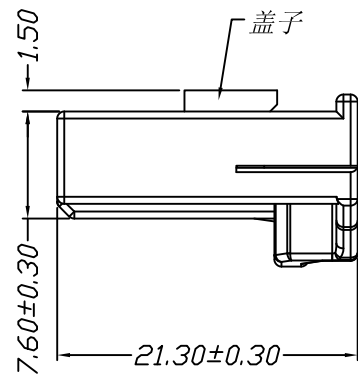
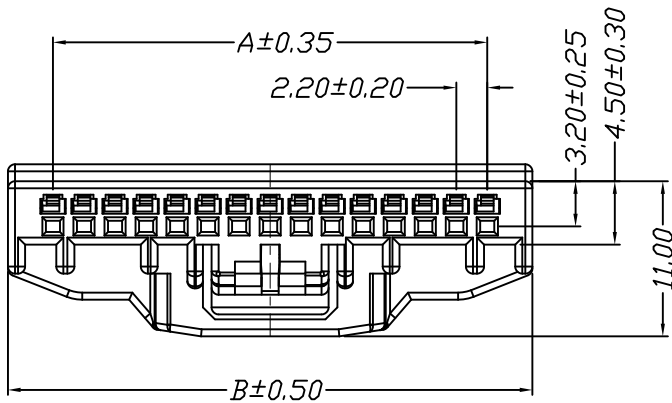
DWG. NO:	REV:	A0	SHEET:	1/1
----------	------	----	--------	-----

仅供参考

REV.	REVISION RECORD	DATE
A0	新图面发行	2017.06.16



Specifications:
 Voltage Rating : 250V AC/DC
 Current Rating : 3A AC,DC
 Withstand Voltage : 1000V AC/minute
 Contact Resistance : 30mΩ(MAX.)
 Insulation Resistance : 1000MΩ(MIN.)
 Temperature Range : -40°C~+85°C



Poles	Dimensions	
	A	B
3P	4.40	10.80
5P	8.80	15.20
7P	13.20	19.60
9P	17.60	24.00
11P	22.00	28.40
13P	26.40	32.80
15P	30.80	37.20

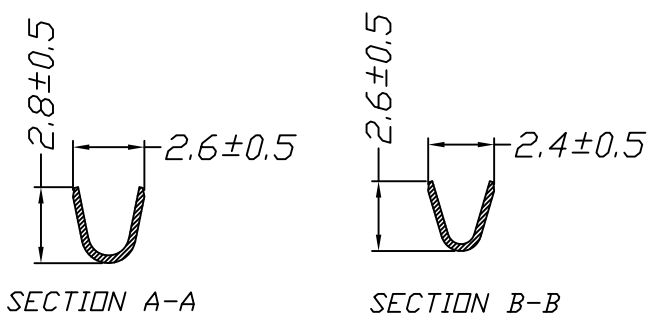
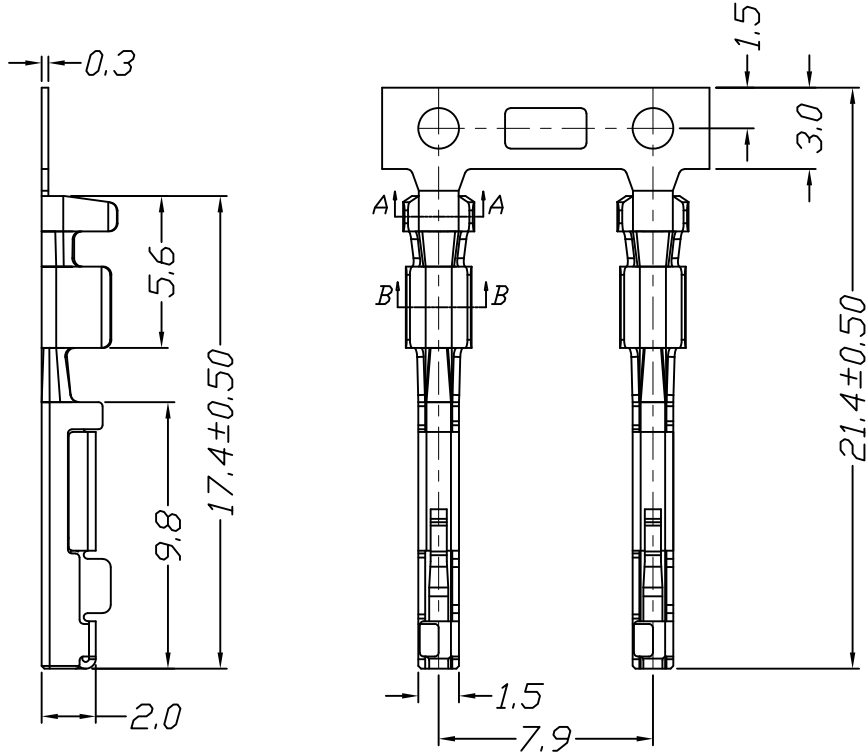
Material	Color
Nylon 66 UL94V-0	Grey

	GENERAL TOLERANCES		SCALE: 1:1	NAME	DATE	深圳市思拓展电子有限公司 SHENZHEN SINOTOP ELECTRONICS CO., LTD 公司网址: www.szstuo.cn 公司电话: 0755-23765350 邮箱: 2850175982@qq.com 公司传真: 0755-23765341	PART. NO: STP42202H00-NPX-G2-66
	LINEAR	ANGLES					
UNIT: MM	0.0±0.35	X° REF±6°	DESIGNER		TITLE:		DWG. NO:
SIZE: A4	0.00±0.25	X° ±3°	DRAWN	肖坤权	2017.06.16	2.20mm PITCH Housing	REV: A0
	0.000±0.15	X° X'±2°					SHEET: 1/1

仅供参考

REV.	REVISION RECORD	DATE
A0	新图面发行	2017.06.16

Specifications:
 Voltage Rating : 250V AC/DC
 Current Rating : 3A AC,DC
 Withstand Voltage : 1000V AC/minute
 Contact Resistance : 30mΩ(MAX.)
 Insulation Resistance : 1000MΩ(MIN.)
 Temperature Range : -40°C~+85°C



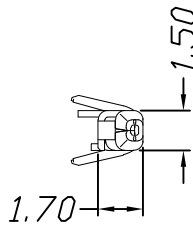
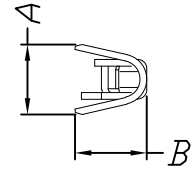
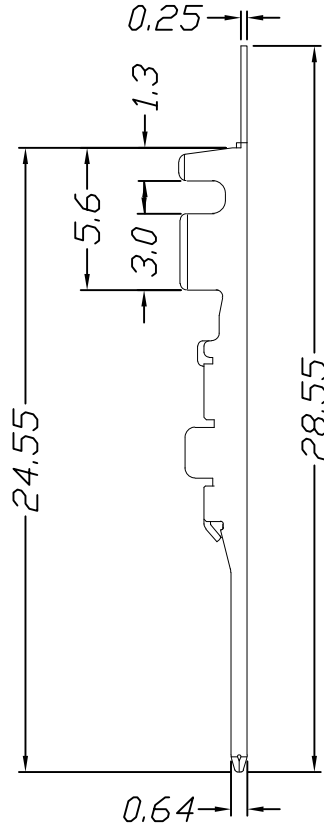
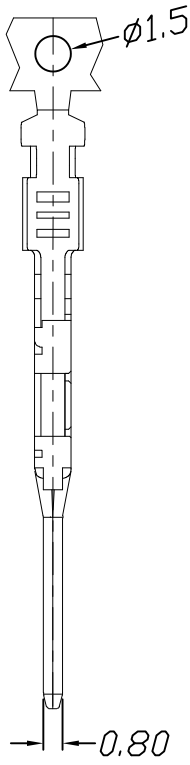
Wire Range	Insulation O.D.	Material	Finish	Qty/Reel
AWG #22~#28	1.00mm(max)	Phosphor bronze	Au or Sn	

	GENERAL TOLERANCES		SCALE: 1:1	NAME	DATE	深圳市思拓展电子有限公司 SHENZHEN SINOTOP ELECTRONICS CO., LTD 公司地址: www.szsituo.cn 公司电话: 0755-23765350 邮箱: 2850175982@qq.com 公司传真: 0755-23765341	PART. NO: STP42202TOP-XX
	LINEAR	ANGLES	APPROVED				DWG. NO:
UNIT: MM	0.0±0.35	X° REF±6°	DESIGNER			TITLE: 2.20mm PITCH Crimp Terminal	REV: A0 SHEET: 1/1
SIZE: A4	0.000±0.15	X° X'±2°	DRAWN	肖坤权	2017.06.16		

仅供参考

REV.	REVISION RECORD	DATE
A0	新图面发行	2017.06.16

Specifications:
 Voltage Rating : 250V AC/DC
 Current Rating : 3A AC,DC
 Withstand Voltage : 1000V AC/minute
 Contact Resistance : 30mΩ(MAX.)
 Insulation Resistance : 1000MΩ(MIN.)
 Temperature Range : -40°C~+85°C



Part No.	Dimensions	
	A	B
32202TOP-**-01	2.6	2.6
32202TOP-**-02	2.65	2.7
32202TOP-**-03	2.26	1.8

Wire Range	Insulation O. D.	Material	Finish	Qty/Reel
AWG #22~#28	1.00mm(max)	Phosphor bronze	Au or Sn	

	GENERAL TOLERANCES		SCALE: 1:1	NAME	DATE	深圳市思拓展电子有限公司 SHENZHEN SINOTOP ELECTRONICS CO., LTD 公司网址: www.szstuo.cn 公司电话: 0755-23765350 邮 箱: 2850175982@qq.com 公司传真: 0755-23765341	PART. NO: STP32202TOP-XX-XX
	LINEAR	ANGLES	APPROVED				DWG. NO:
UNIT: MM	0.0±0.35	X° REF±6°	DESIGNER			TITLE: 2. 20mm PITCH Crimp Terminal	REV: A0 SHEET: 1/1
SIZE: A4	0.00±0.15	X° X'±2°	DRAWN	肖坤权	2017.06.16		