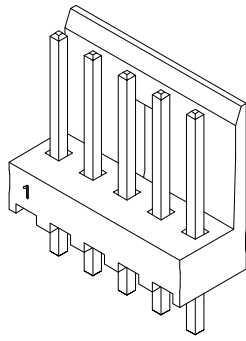


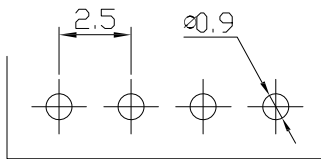
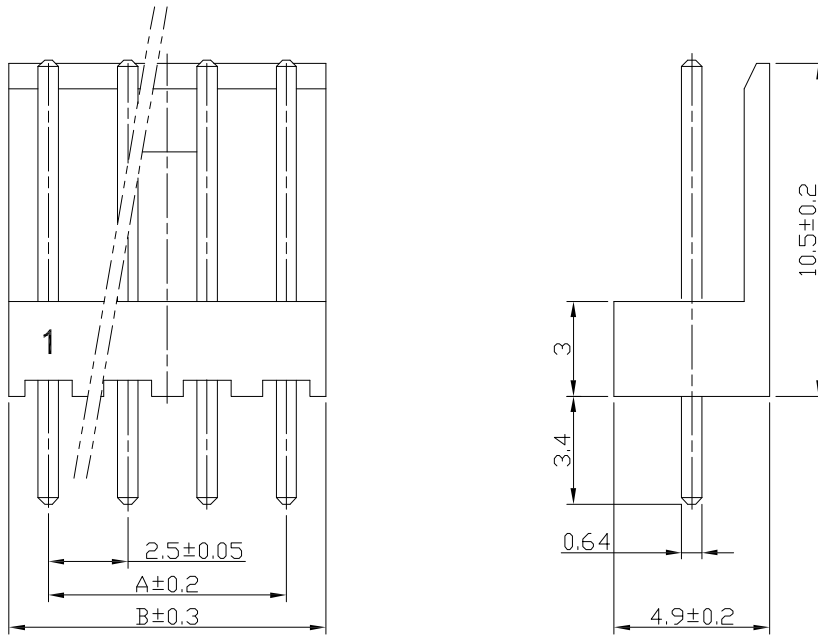
仅供参考

REV.	REVISION RECORD	DATE
A0	新图面发行	2017.06.16



主要技术参数 Main Specifications

线数 (Poles): 02~24
 接触电阻 (Contact resistance): $\leq 20m\Omega$
 绝缘电阻 (Insulation resistance): $\geq 1000M\Omega$
 额定电压 (Rated voltage): 250V AC DC
 额定电流 (Rated current): 3.0A AC DC
 耐电压 (Withstand Voltage): 1000V AC/minute
 温度范围 (Temperature Range): $-25^{\circ}C \sim +85^{\circ}C$



P. C. B LAYOUT

Poles	Dimensions mm	
	A	B
2	2.50	5.00
3	5.00	7.50
4	7.50	10.00
5	10.00	12.50
6	12.50	15.00
7	15.00	17.50
8	17.50	20.00
9	20.00	22.50
10	22.50	25.00
11	25.00	27.50
12	27.50	30.00
--	--	--
24	57.50	60.00

ITEM	COMPONENT	Q'TY	MATERIAL	FINISH
B	CONTACT	2~15 PCS	Brass	Tin-plated
A	PEDESTAL	1 PCS	PA66	COLOR:WHITE

	GENERAL TOLERANCES		SCALE: 1:1	NAME	DATE	深圳市思拓展电子有限公司 SHENZHEN SINOTOP ELECTRONICS CO., LTD 公司网址: www.szstuo.cn 公司电话: 0755-23765350 电子邮箱: 2850175982@qq.com 公司传真: 0755-23765341	PART. NO: ST-WF-250-010A	
	LINEAR	ANGLES	APPROVED				DWG. NO:	
	0.0±0.30	X° REF±6°	DESIGNER				REV: A0 SHEET: 1/1	
	UNIT: MM	0.00±0.20	X° ±3°	DRAWN	肖坤权		2017.06.16	TITLE: 2.50mmPITCH 180° WAFER DIP TYPE
SIZE: A4	0.000±0.10	X° X'±2°						