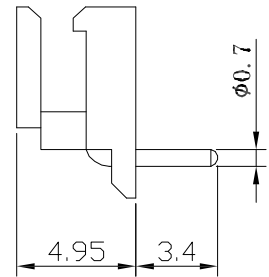
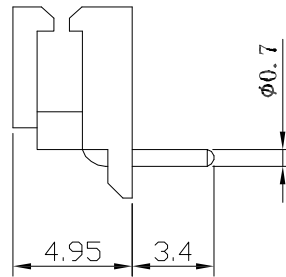
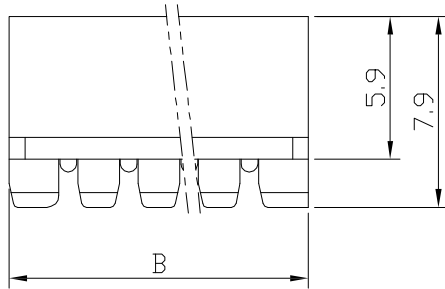
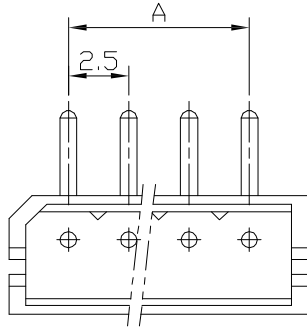
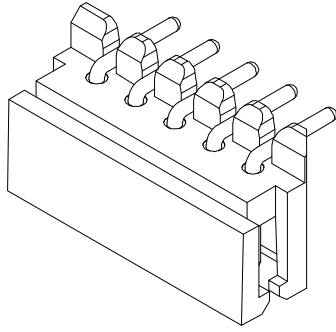


仅供参考

REV.	REVISION RECORD	DATE
A0	新图面发行	2017.06.16

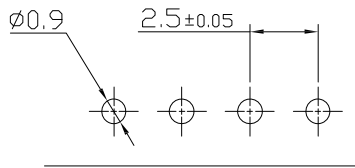
主要技术参数 Main Specifications

线数 (Poles): 02 to 16
 接触电阻 (Contact resistance): $\leq 20m\Omega$
 绝缘电阻 (Insulation resistance): $\geq 1000M\Omega$
 额定电压 (Rated voltage): 250V AC DC
 额定电流 (Rated current): 2.5A AC DC
 耐电压 (Withstand Voltage): 1000V AC/minute
 温度范围 (Temperature Range): $-25^{\circ}C \sim +85^{\circ}C$



ST-WF-250-005AW

ST-WF-250-005AWB



P. C. B LAYOUT

Poles	Dimensions mm	
	A	B
2	2.50	7.5
3	5.00	10.0
4	7.50	12.5
5	10.00	15.0
6	12.50	17.5
7	15.00	20.0
8	17.50	22.5
9	20.00	25.0
10	22.50	27.5
11	25.00	30.0
--	--	--
16	37.50	42.5

B	CONTACT	2~16 PCS	Brass	Tin-plated
A	PEDESTAL	1 PCS	PA66	COLOR:WHITE
ITEM	COMPONENT	Q'TY	MATERIAL	FINISH

	GENERAL TOLERANCES		SCALE: 1:1	NAME	DATE	深圳市思拓展电子有限公司 SHENZHEN SINOTOP ELECTRONICS CO., LTD 公司网址: www.szstuo.cn 公司电话: 0755-23765350 邮 箱: 2850175982@qq.com 公司传真: 0755-23765341	PART. NO:
	LINEAR	ANGLES	APPROVED				ST-WF-250-005AW
UNIT: MM	0.00±0.20	X° REF±6°	DESIGNER			TITLE:	DWG. NO:
SIZE: A4	0.000±0.10	X° X'±2°	DRAWN	肖坤权	2017.06.16	2.50mm PITCH 90° WAFER DIP TYPE	REV: A0 SHEET: 1/1