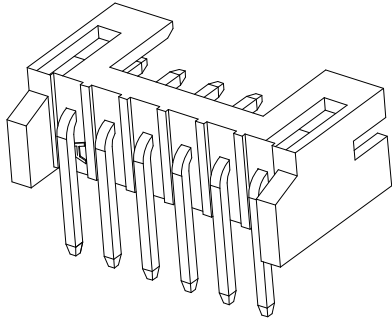


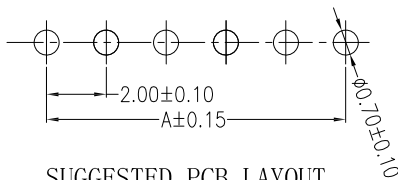
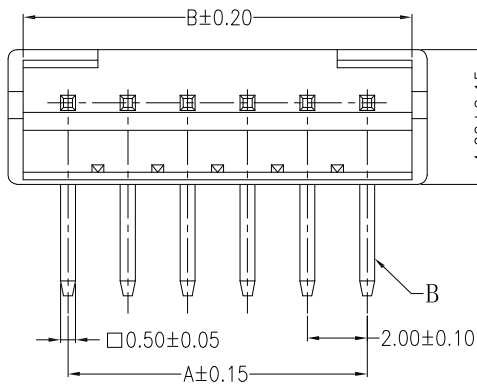
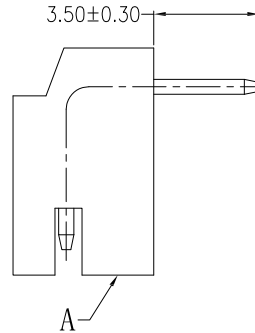
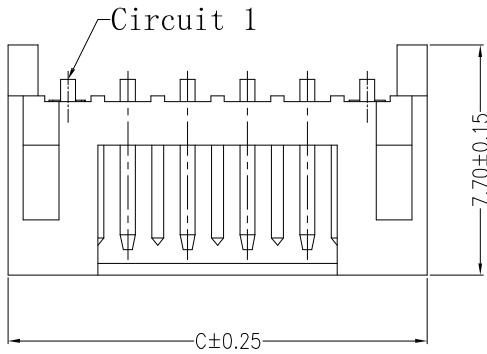
仅供参考

REV.	REVISION RECORD	DATE
A0	新图面发行	2017.06.16



主要技术参数 Main Specifications

- 线数 (Poles): 02 to 16
- 接触电阻 (Contact resistance)  $\leq 20\text{m}\Omega$
- 绝缘电阻 (Insulation resistance)  $\geq 1000\text{M}\Omega$
- 额定电压 (Rated voltage): 100V AC DC
- 额定电流 (Rated current): 2.0A AC DC
- 耐电压 (Withstand Voltage): 1000V AC/minute
- 温度范围 (Temperature Range):  $-25^{\circ}\text{C} \sim +85^{\circ}\text{C}$



SUGGESTED PCB LAYOUT  
(COMPONENT SIDE)

Circuits	Dimensions (mm)		
	DIM. A	DIM. B	DIM. C
02	2.00	5.00	6.00
03	4.00	7.00	8.00
04	6.00	9.00	10.00
05	8.00	11.00	12.00
06	10.00	13.00	14.00
07	12.00	15.00	16.00
08	14.00	17.00	18.00
09	16.00	19.00	20.00
10	18.00	21.00	22.00
11	20.00	22.00	24.00
12	22.00	25.00	26.00
13	24.00	27.00	28.00
14	26.00	29.00	30.00
15	28.00	31.00	32.00
16	30.00	33.00	34.00

B	CONTACT	2~16 PCS	Brass	Sn-plated
A	PEDESTAL	1 PCS	PA66	94V-0, COLOR:Beige
ITEM	COMPONENT	Q'TY	MATERIAL	FINISH

	GENERAL TOLERANCES		SCALE: 1:1	NAME	DATE	深圳市思拓展电子有限公司 SHENZHEN SINOTOP ELECTRONICS CO., LTD 公司网址: www.szstuo.cn 公司电话: 0755-23765350 电子邮箱: 2850175982@qq.com 公司传真: 0755-23765341	PART. NO: <b>ST-WF-200-001AWD</b>
	LINEAR	ANGLES					
UNIT: MM	0.00±0.20	X° REF±6°	DESIGNER			TITLE:	DWG. NO:
SIZE: A4	0.000±0.10	X° X'±2°	DRAWN	肖坤权	2017.06.16	2.00mmPITCH 90° WAFER DIP TYPE	REV: A0 SHEET: 1/1