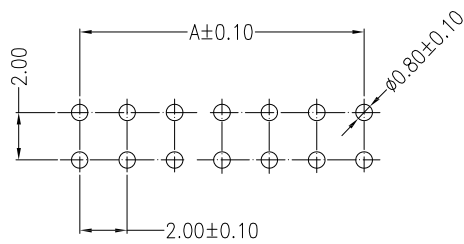
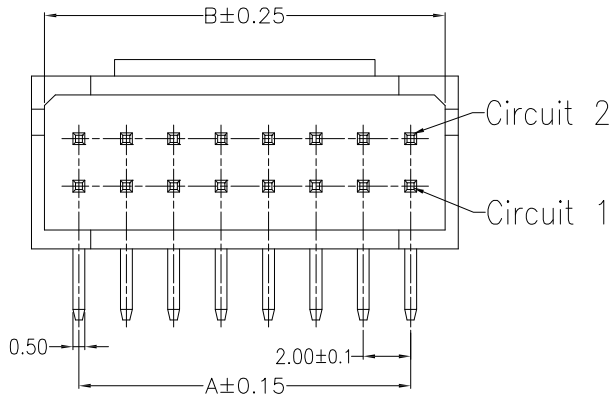
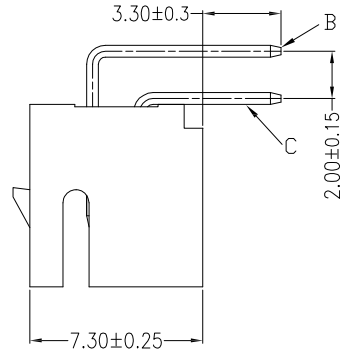
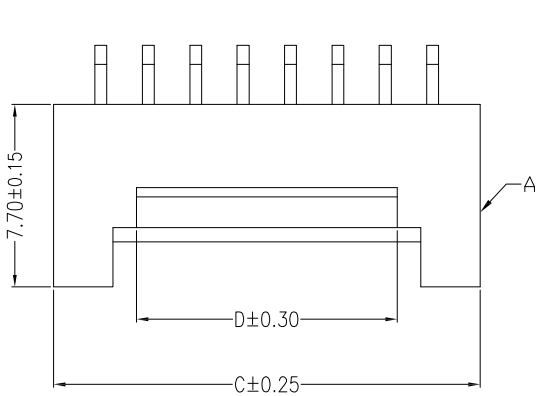


仅供参考

REV.	REVISION RECORD	DATE
A0	新图面发行	2017.06.16

主要技术参数 Main Specifications

线数 (Poles): 04 to 60
 接触电阻 (Contact resistance): $\leq 30m\Omega$
 绝缘电阻 (Insulation resistance): $\geq 1000M\Omega$
 额定电压 (Rated voltage): 250V AC DC
 额定电流 (Rated current): 3.0A AC DC
 耐电压 (Withstand Voltage): 1000V AC/minute
 温度范围 (Temperature Range): $-25^{\circ}C \sim +85^{\circ}C$



SUGGESTED PCB LAYOUT
(COMPONENT SIDE)

Circuits	Dimensions (mm)			
	A	B	C	D
2*2	2.00	4.90	6.00	3.00
2*3	4.00	6.90	8.00	3.00
2*4	6.00	8.90	10.00	5.00
2*5	8.00	10.90	12.00	5.00
2*6	10.00	12.90	14.00	7.00
2*7	12.00	14.90	16.00	9.00
2*8	14.00	16.90	18.00	11.00
2*9	16.00	18.90	20.00	13.00
2*10	18.00	20.90	22.00	15.00
2*11	20.00	22.90	24.00	17.00
2*12	22.00	24.90	26.00	19.00
2*13	24.00	26.90	28.00	21.00
2*14	26.00	28.90	30.00	23.00
2*15	28.00	30.90	32.00	25.00
~	~	~	~	~
2*30	58.00	60.90	62.00	55.00

C	CONTACT	2~15 PCS	Brass	Sn-plated
B	CONTACT	2~15 PCS	Brass	Sn-plated
A	PEDESTAL	1 PCS	PA66	94-V0
ITEM	COMPONENT	Q'TY	MATERIAL	FINISH

	GENERAL TOLERANCES		SCALE: 1:1	NAME	DATE	深圳市思拓展电子有限公司 SHENZHEN SINOTOP ELECTRONICS CO., LTD 公司网址: www.szstuo.cn 公司电话: 0755-23765350 邮 箱: 2850175982@qq.com 公司传真: 0755-23765341	PART. NO:	
	LINEAR	ANGLES	APPROVED				ST-WF-200-004AW	
	0.0±0.30	X° REF±6°	DESIGNER				DWG. NO:	
UNIT: MM	0.00±0.20	X° ±3°	DRAWN	肖坤权	2017.06.16	TITLE:	REV: A0 SHEET: 1/1	
SIZE: A4	0.000±0.10	X° X'±2°				2.00mm PITCH 90° WAFER DIP TYPE		