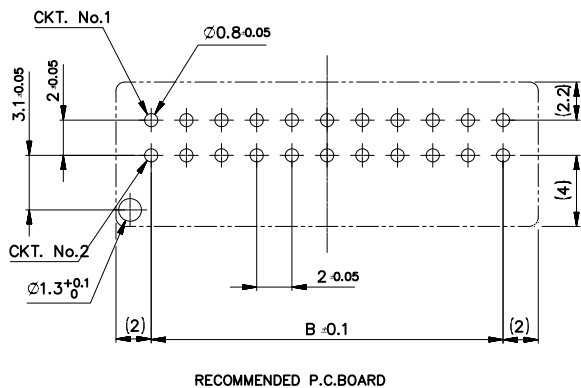
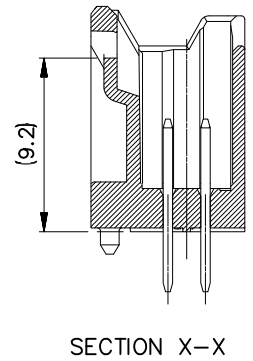
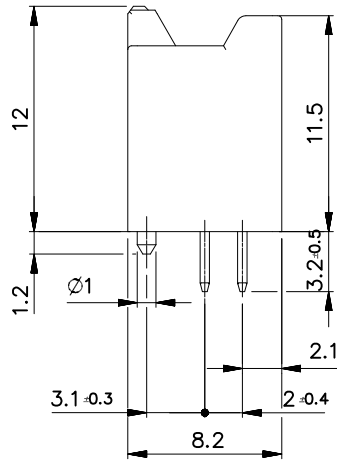
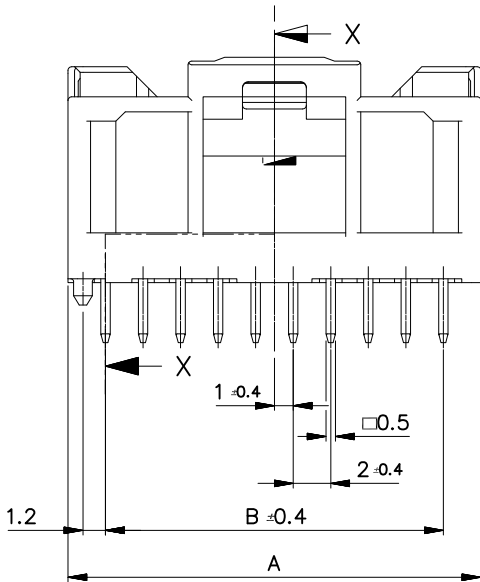
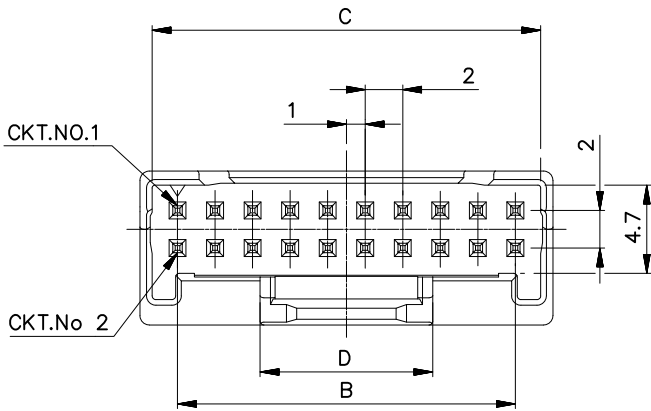


仅供参考

REV.	REVISION RECORD	DATE
A0	新图面发行	2017.06.16

Specifications:

Contact resistance: $\leq 20m\Omega$
 Insulation resistance: $\geq 1000M\Omega$
 Rated voltage: 125V AC DC
 Rated current: 3.0A AC DC
 Withstand Voltage: 500V AC/minute
 Temperature Range: $-40^{\circ}C \sim +105^{\circ}C$
 Housing: POLYAMIDE(PA) BLACK, UL94V-0
 Contacts: Brass / GOLD-plated



9.2	40.7	38	42	40
9.2	38.7	36	40	38
9.2	36.7	34	38	36
9.2	34.7	32	36	34
9.2	32.7	30	34	32
9.2	30.7	28	32	30
9.2	28.7	26	30	28
9.2	26.7	24	28	26
9.2	24.7	22	26	24
9.2	22.7	20	24	22
9.2	20.7	18	22	20
9.2	18.7	16	20	18
9.2	16.7	14	18	16
9.2	14.7	12	16	14
9.2	12.7	10	14	12
7.3	10.7	8	12	10
D	C	B	A	CKT.

	GENERAL TOLERANCES		SCALE: 1:1	NAME	DATE	深圳市思拓展电子有限公司 SHENZHEN SINOTOP ELECTRONICS CO., LTD 公司网址: www.szstuo.cn 公司电话: 0755-23765350 邮箱: 2850175982@qq.com 公司传真: 0755-23765341	PART. NO: ST-WF-200-005A	
	LINEAR	ANGLES					APPROVED	DWG. NO:
UNIT: MM	0.00 ± 0.20	X° REF ± 6°	DESIGNER	TITLE: 2.00mm PITCH 180° WAFER DIP TYPE		REV: A0	SHEET: 1/1	
SIZE: A4	0.000 ± 0.10	X° X' ± 2°	DRAWN 肖坤权	2017.06.16				