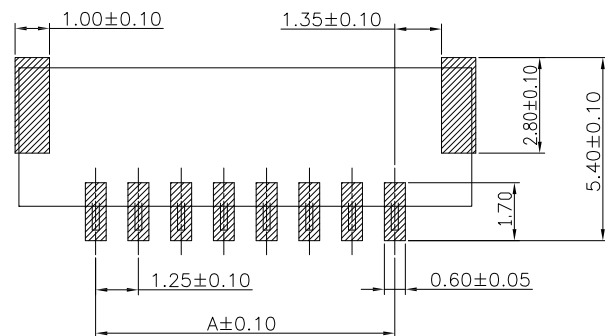
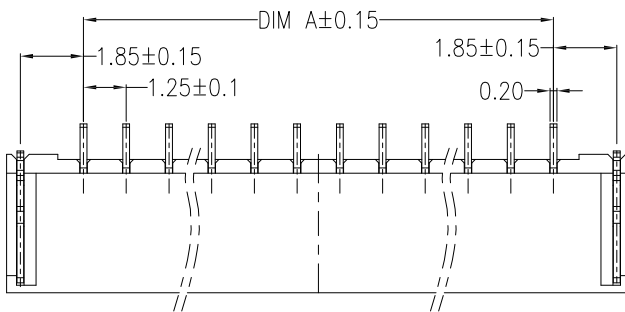
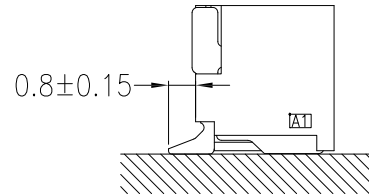
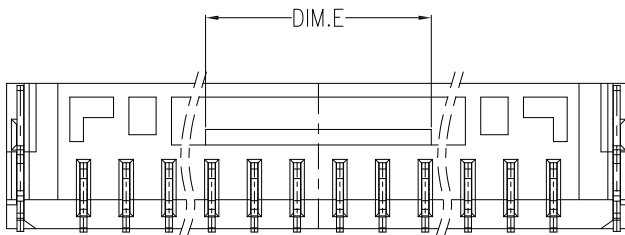
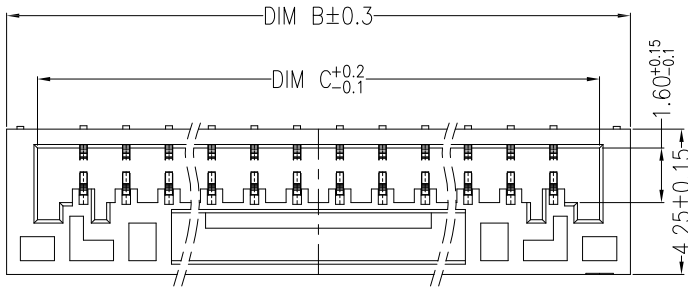


仅供参考

REV.	REVISION RECORD	DATE
A0	新图面发行	2017.06.16

主要技术参数 Main Specifications

线数 (Poles): 02 to 15
 接触电阻 (Contact resistance): $\leq 20m\Omega$
 绝缘电阻 (Insulation resistance): $\geq 100M\Omega$
 额定电压 (Rated voltage): 50V AC DC
 额定电流 (Rated current): 1.0A AC DC
 耐电压 (Withstand Voltage): 500V AC/minute
 温度范围 (Temperature Range): $-40^{\circ}C \sim +110^{\circ}C$



SUGGESTED PCB LAYOUT
(COMPONENT SIDE)

孔位	尺寸	DIM A	DIM B	DIM C	DIM E
2P		1.25	5.75	3.75	0.75
3P		2.50	7.00	5.00	1.60
4P		3.75	8.25	6.25	2.65
5P		5.00	9.50	7.50	2.50
6P		6.25	10.75	8.75	4.65
7P		7.50	12.00	10.00	4.65
8P		8.75	13.25	11.25	4.65
9P		10.00	14.50	12.50	4.65
10P		11.25	15.75	13.75	6.60
11P		12.50	17.00	15.00	6.60
12P		13.75	18.25	16.25	6.60
13P		15.00	19.50	17.50	6.60
14P		16.25	20.75	18.75	6.60
15P		17.50	22.00	20.00	6.60

C	SOLDER TAB	2 PCS	PhosphorBronze	MATTE Sn-plated
B	CONTACT	02~15PCS	PhosphorBronze	MATTE Sn-plated
A	PEDESTAL	1 PCS	LCP	UL 94V-0, COLOR:BEIGE
ITEM	COMPONENT	Q'TY	MATERIAL	FINISH

	GENERAL TOLERANCES		SCALE:	NAME	DATE
	LINEAR	ANGLES	1:1		
	0.0 ±0.30	X° REF ±6°	APPROVED		
			DESIGNER		
UNIT: MM	0.00 ±0.20	X° ±3°	DRAWN	肖坤权	2017.06.16
SIZE: A4	0.000 ±0.10	X° X' ±2°			

深圳市思拓展电子有限公司
 SHENZHEN SINOTOP ELECTRONICS CO., LTD
 公司网址: www.szstuo.cn 公司电话: 0755-23765350
 邮 箱: 2850175982@qq.com 公司传真: 0755-23765341

TITLE: 1.25mmPITCH 90° WAFER SMT TYPE

PART. NO:	ST-WF-125-003AWR	
DWG. NO:		
REV:	A0	SHEET: 1/1