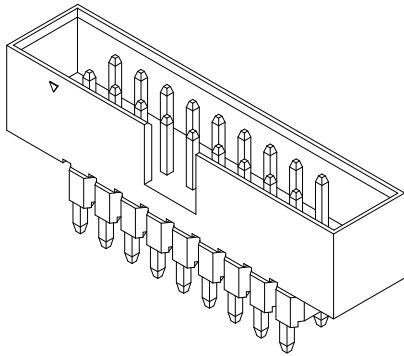
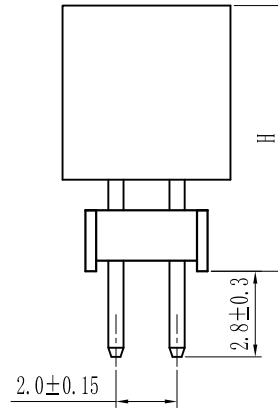
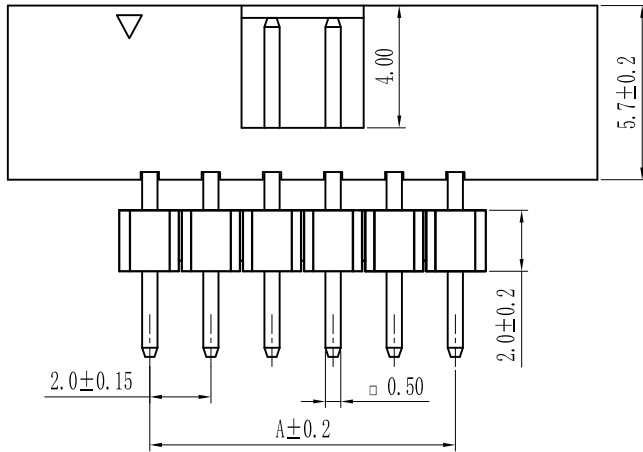
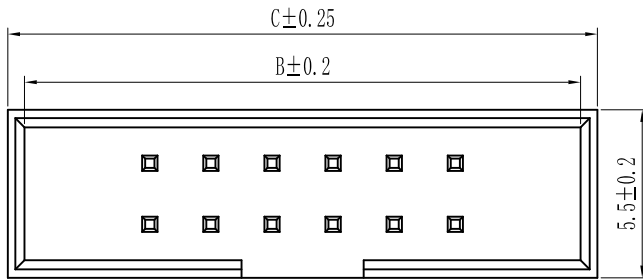


仅供参考

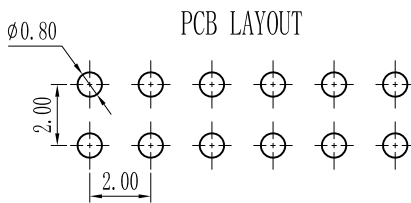
REV.	REVISION RECORD	DATE
A0	新图面发行	2017.06.16



Specification:  
 Current Rating : 2AMP  
 Temperature Range : -40°Cto+105°C  
 Contact Resistance : 20mΩ Max  
 Insulation Resistance : 1000MΩ Min  
 Withstanding Voltage : AC 500V  
 Material:  
 Insulator : PBT/PA6T/LCP  
 Contact: Brass  
 Plating : Au or Sn Over 50u" Ni



Pin数	尺寸A	尺寸B	尺寸C
2×3	4.00	12.20	13.30
2×4	6.00	14.20	15.30
2×5	8.00	16.20	17.30
2×6	10.00	18.20	19.30
2×7	12.00	20.20	21.30
2×8	14.00	22.20	23.30
2×9	16.00	24.20	25.30
2×10	18.00	26.20	27.30
2×11	20.00	28.20	29.30
2×12	22.00	30.20	31.30
2×13	24.00	32.20	33.30
2×14	26.00	34.20	35.30
2×15	28.00	36.20	37.30
2×16	30.00	38.20	39.30
2×17	32.00	40.20	41.30
2×18	34.00	42.20	43.30
2×19	36.00	44.20	45.30
2×20	38.00	46.20	47.30
2×21	40.00	48.20	49.30
2×22	42.00	50.20	51.30
2×23	44.00	52.20	53.30
2×24	46.00	54.20	55.30
2×25	48.00	56.20	57.30
2×26	50.00	58.20	59.30
2×27	52.00	60.20	61.30
2×28	54.00	62.20	63.30
2×29	56.00	64.20	65.30
2×30	58.00	66.20	67.30
2×31	60.00	68.20	69.30
2×32	62.00	70.20	71.30
2×33	64.00	72.20	73.30
2×34	66.00	74.20	75.30



	GENERAL TOLERANCES		SCALE: 1:1	NAME	DATE	深圳市思拓展电子有限公司 SHENZHEN SINTOP ELECTRONICS CO.,LTD 公司网址: www.szsituo.cn      公司电话: 0755-23765350 邮 箱: 2850175982@qq.com      公司传真: 0755-23765341	PART. NO: ST-BF-127-018	
	LINEAR	ANGLES					APPROVED	DWG. NO:
UNIT: MM	0.0±0.30	X° REF±6°	DESIGNER	TITLE:	Pitch2.00mm Box Header, Dual Row, Plastic Height 5.7mm, Elevator DIP Type		REV: A0	SHEET: 1/1
SIZE: A4	0.000±0.10	X° X'±2°	DRAWN	肖坤权	2017.06.16			