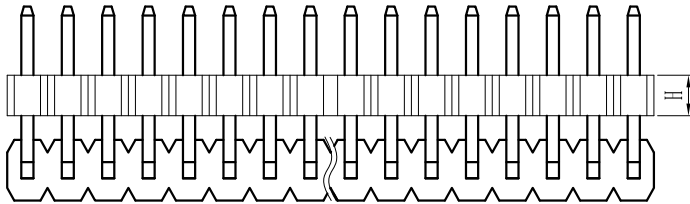
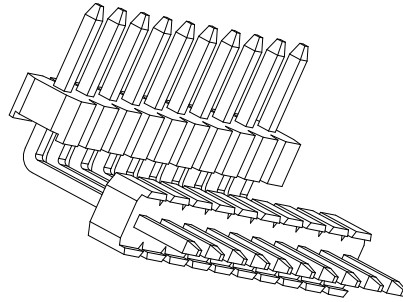


仅供参考

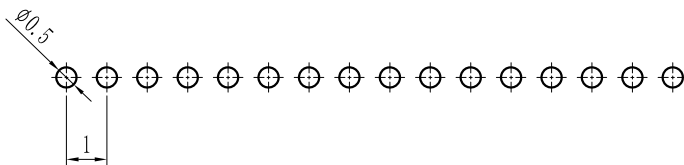
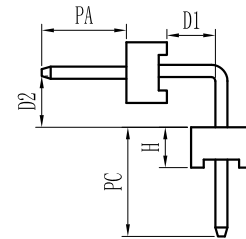
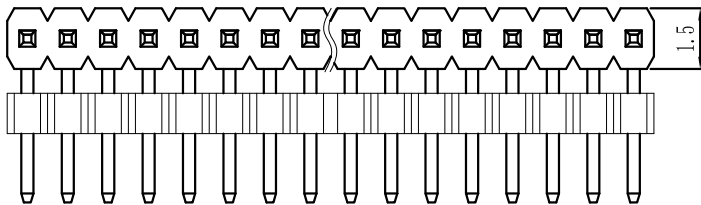
REV.	REVISION RECORD	DATE
A0	新图面发行	2017.06.16

Specification:
 Current Rating : 0.75AMP
 Temperature Range : -40°C to +105°C
 Contact Resistance : 30mΩ Max
 Insulation Resistance : 500MΩ Min
 Withstanding Voltage : AC 500V
 Material:
 Insulator : Polyester (UL94V-0)
 Standard: PA6T/LCP
 Contact: Brass
 Plating : Au or Sn Over 50u" Ni



Height
H=1.0mm
H=1.5mm

Pin数	尺寸A	尺寸B
1X2	1.0	2.0
1X3	2.0	3.0
1X4	3.0	4.0
1X5	4.0	5.0
1X6	5.0	6.0
1X7	6.0	7.0
1X8	7.0	8.0
1X9	8.0	9.0
1X10	9.0	10.0
1X11	10.0	11.0
1X12	11.0	12.0
1X13	12.0	13.0
1X14	13.0	14.0
1X15	14.0	15.0
1X16	15.0	16.0
1X17	16.0	17.0
1X18	17.0	18.0
1X19	18.0	19.0
1X20	19.0	20.0
1X21	20.0	21.0
1X22	21.0	22.0
1X23	22.0	23.0
1X24	23.0	24.0
1X25	24.0	25.0
1X26	25.0	26.0
1X27	26.0	27.0
1X28	27.0	28.0
1X29	28.0	29.0
1X30	29.0	30.0
1X31	30.0	31.0
1X32	31.0	32.0
1X33	32.0	33.0
1X34	33.0	34.0
1X35	34.0	35.0
1X36	35.0	36.0
1X37	36.0	37.0
1X38	37.0	38.0
1X39	38.0	39.0
1X40	39.0	40.0
1X41	40.0	41.0
1X42	41.0	42.0
1X43	42.0	43.0
1X44	43.0	44.0
1X45	44.0	45.0
1X46	45.0	46.0
1X47	46.0	47.0
1X48	47.0	48.0
1X49	48.0	49.0
1X50	49.0	50.0



PCB LAYOUT

	GENERAL TOLERANCES		SCALE: 1:1	NAME	DATE	深圳市思拓展电子有限公司 SHENZHEN SINOTOP ELECTRONICS CO., LTD 公司地址: www.szsituo.cn 公司电话: 0755-23765350 邮 箱: 2850175982@qq.com 公司传真: 0755-23765341	PART. NO: ST-PH-100-0011	
	LINEAR	ANGLES					APPROVED	DWG. NO:
UNIT: MM	0.0 ± 0.30	X° REF ± 6°	DESIGNER			TITLE:	REV: A0 SHEET: 1/1	
SIZE: A4	0.000 ± 0.10	X° X' ± 2°	DRAWN	肖坤权	2017.06.16	Pitch 1.0mm Pin Header, Dual Plastic, Single Row, Right Angle Type		