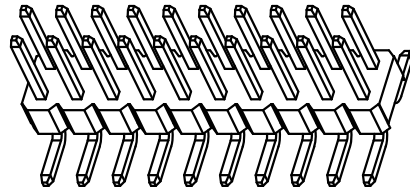
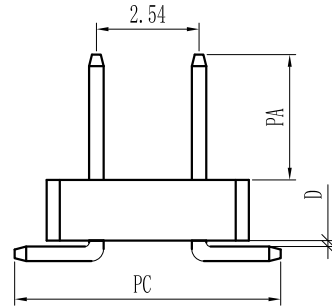
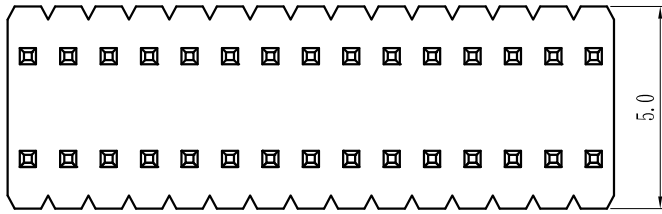


仅供参考

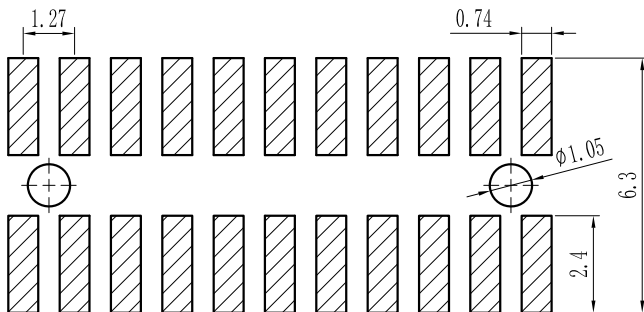
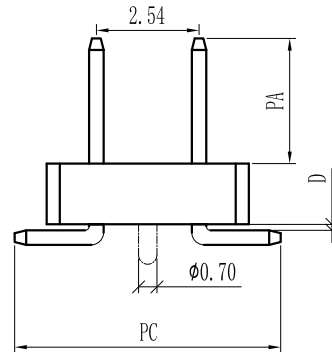
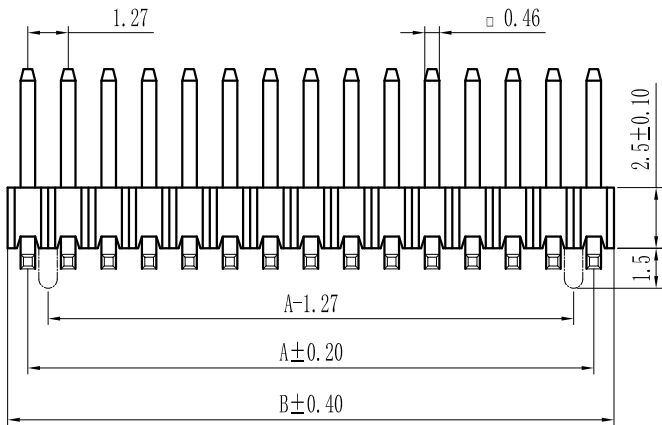
REV.	REVISION RECORD	DATE
A0	新图面发行	2017.06.16



Specification:
 Current Rating : 1AMP
 Temperature Range : -40°Cto+105°C
 Contact Resistance : 20mΩ Max
 Insulation Resistance : 500MΩ Min
 Withstanding Voltage : AC 500V
 Material:
 Insulator : Polyester (UL94V-0)
 Standard:PBT/PA6T/LCP
 Contact: Brass
 Plating : Au or Sn Over 50u" Ni



Pin数	尺寸A	尺寸B
2×1	-	1.27
2×2	1.27	2.54
2×3	2.54	3.81
2×4	3.81	5.08
2×5	5.08	6.35
2×6	6.35	7.62
2×7	7.62	8.89
2×8	8.89	10.16
2×9	10.16	11.43
2×10	11.43	12.70
2×11	12.70	13.97
2×12	13.97	15.24
2×13	15.24	16.51
2×14	16.51	17.78
2×15	17.78	19.05
2×16	19.05	20.32
2×17	20.32	21.59
2×18	21.59	22.86
2×19	22.86	24.13
2×20	24.13	25.40
2×21	25.40	26.67
2×22	26.67	27.94
2×23	27.94	29.21
2×24	29.21	30.48
2×25	30.48	31.75
2×26	31.75	33.02
2×27	33.02	34.29
2×28	34.29	35.56
2×29	35.56	36.83
2×30	36.83	38.10
2×31	38.10	39.37
2×32	39.37	40.64
2×33	40.64	41.91
2×34	41.91	43.18
2×35	43.18	44.45
2×36	44.45	45.72
2×37	45.72	46.99
2×38	46.99	48.26
2×39	48.26	49.53
2×40	49.53	50.80
2×41	50.80	52.07
2×42	52.07	53.34
2×43	53.34	54.61
2×44	54.61	55.88
2×45	55.88	57.15
2×46	57.15	58.42
2×47	58.42	59.69
2×48	59.69	60.96
2×49	60.96	62.23
2×50	62.23	63.50



PCB LAYOUT

	GENERAL TOLERANCES		SCALE: 1:1	NAME	DATE	深圳市思拓展电子有限公司 SHENZHEN SINOTOP ELECTRONICS CO.,LTD 公司网址: www.szsituo.cn 公司电话: 0755-23765350 邮 箱: 2850175982@qq.com 公司传真: 0755-23765341	PART. NO: ST-PH-127-0039
	LINEAR	ANGLES					
UNIT: MM	0.00±0.20	X° REF±6°	DESIGNER			TITLE: 1.27*2.54mm Pin Header, Single Plastic, Dual Row, SMT Type	DWG. NO:
SIZE: A4	0.000±0.10	X° X'±2°	DRAWN	肖坤权	2017.06.16		REV: A0 SHEET: 1/1

A B C D E F G H