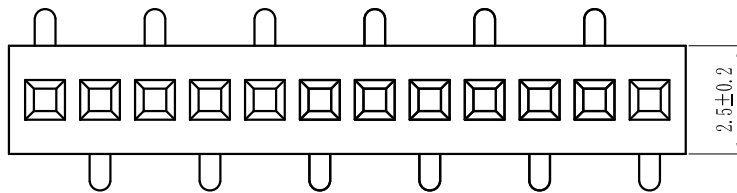
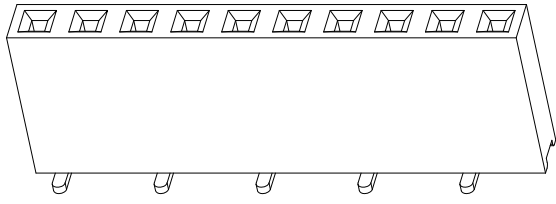


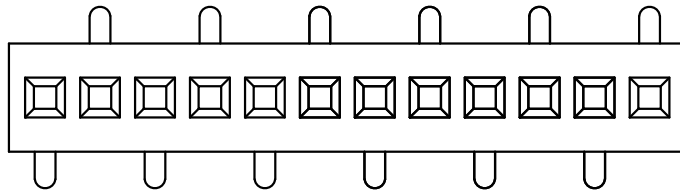
仅供参考

REV.	REVISION RECORD	DATE
A0	新图面发行	2017.06.16

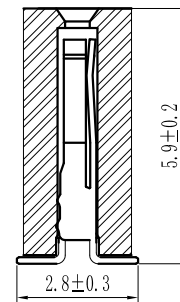
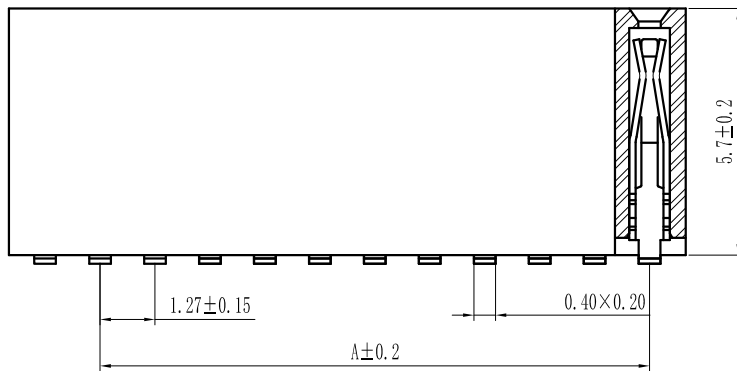
Specification:
 Current Rating : 1AMP
 Temperature Range : -40°C to +105°C
 Contact Resistance : 20mΩ Max
 Insulation Resistance : 1000MΩ Min
 Withstanding Voltage : AC 500V
 Material:
 Insulator : Polyester (UL94V-0)
 Standard: PBT/PA6T/LCP
 Contact: Bronze
 Plating : Au or Sn Over 50u" Ni



B Type

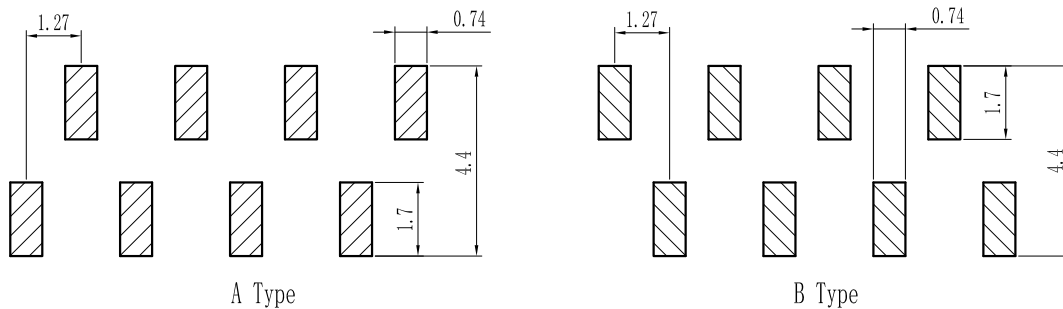


A Type



Pin数	尺寸A	尺寸B
1×2	1.27	2.94
1×3	2.54	4.21
1×4	3.81	5.48
1×5	5.08	6.75
1×6	6.35	8.02
1×7	7.62	9.29
1×8	8.89	10.56
1×9	10.16	11.83
1×10	11.43	13.10
1×11	12.70	14.37
1×12	13.97	15.64
1×13	15.24	16.91
1×14	16.51	18.18
1×15	17.78	19.45
1×16	19.05	20.72
1×17	20.32	21.99
1×18	21.59	23.26
1×19	22.86	24.53
1×20	24.13	25.80
1×21	25.40	27.07
1×22	26.67	28.34
1×23	27.94	29.61
1×24	29.21	30.88
1×25	30.48	32.15
1×26	31.75	33.42
1×27	33.02	34.69
1×28	34.29	35.96
1×29	35.56	37.23
1×30	36.83	38.50
1×31	38.10	39.77
1×32	39.37	41.04
1×33	40.64	42.31
1×34	41.91	43.58
1×35	43.18	44.85
1×36	44.45	46.12
1×37	45.72	47.39
1×38	46.99	48.66
1×39	48.26	49.93
1×40	49.53	51.20
1×41	50.80	52.47
1×42	52.07	53.74
1×43	53.34	55.01
1×44	54.61	56.28
1×45	55.88	57.55
1×46	57.15	58.82
1×47	58.42	60.09
1×48	59.69	61.36
1×49	60.96	62.63
1×50	62.23	63.90

PCB LAYOUT



A Type

B Type

	GENERAL TOLERANCES		SCALE: 1:1	NAME	DATE	深圳市思拓展电子有限公司 SHENZHEN SINOTOP ELECTRONICS CO., LTD 公司网址: www.szsituo.cn 公司电话: 0755-23765350 电子邮箱: 2850175982@qq.com 公司传真: 0755-23765341	PART. NO:
	LINEAR	ANGLES	APPROVED				ST-FH-127-0056
	0.0±0.30	X° REF±6°	DESIGNER				DWG. NO:
	UNIT: MM	0.00±0.20	X° ±3°	DRAWN	肖坤权		2017.06.16
SIZE: A4	0.000±0.10	X° X'±2°				TITLE: Pitch 1.27mm Female Header, Single Row, Plastic Height 5.7mm, SMT Type (U)	SHEET: 1/1