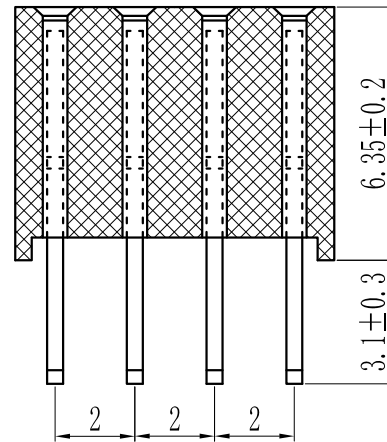
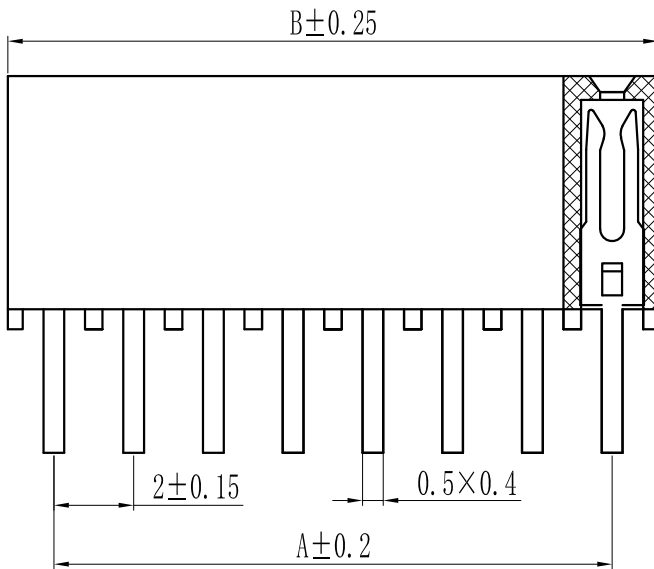
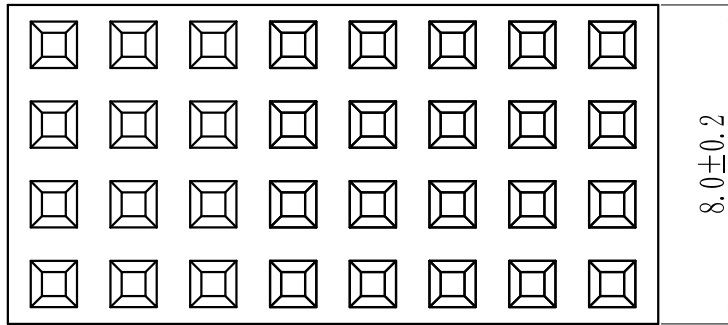


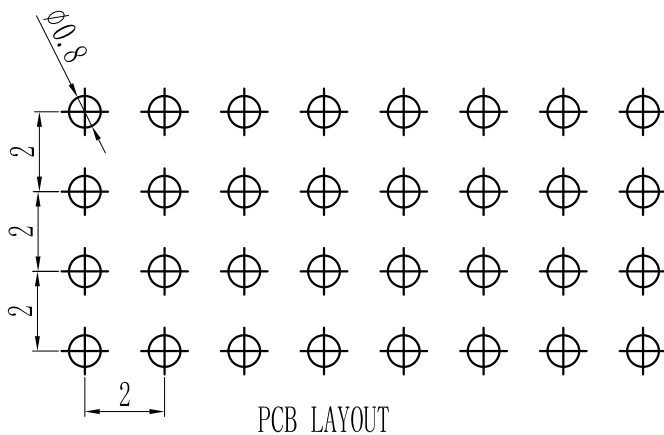
仅供参考

REV.	REVISION RECORD	DATE
A0	新图面发行	2017.06.16

Specification:  
 Current Rating : 2AMP  
 Temperature Range : -40°Cto+105°C  
 Contact Resistance : 20mΩ Max  
 Insulation Resistance : 1000MΩ Min  
 Withstanding Voltage : AC 500V  
 Material:  
 Insulator : Polyester (UL94V-0)  
 Standard:PA6T/LCP  
 Contact: Bronze  
 Plating : Au or Sn Over 50u" Ni



Pin数	尺寸A	尺寸B
4×2	2.0	4.5
4×3	4.0	6.5
4×4	6.0	8.5
4×5	8.0	10.5
4×6	10.0	12.5
4×7	12.0	14.5
4×8	14.0	16.5
4×9	16.0	18.5
4×10	18.0	20.5
4×11	20.0	22.5
4×12	22.0	24.5
4×13	24.0	26.5
4×14	26.0	28.5
4×15	28.0	30.5
4×16	30.0	32.5
4×17	32.0	34.5
4×18	34.0	36.5
4×19	36.0	38.5
4×20	38.0	40.5
4×21	40.0	42.5
4×22	42.0	44.5
4×23	44.0	46.5
4×24	46.0	48.5
4×25	48.0	50.5
4×26	50.0	52.5
4×27	52.0	54.5
4×28	54.0	56.5
4×29	56.0	58.5
4×30	58.0	60.5
4×31	60.0	62.5
4×32	62.0	64.5
4×33	64.0	66.5
4×34	66.0	68.5
4×35	68.0	70.5
4×36	70.0	72.5
4×37	72.0	74.5
4×38	74.0	76.5
4×39	76.0	78.5
4×40	78.0	80.5



	GENERAL TOLERANCES		SCALE: 1:1	NAME	DATE	深圳市思拓展电子有限公司 SHENZHEN SINTOP ELECTRONICS CO.,LTD 公司地址: www.szsituo.cn 公司电话: 0755-23765350 邮 箱: 2850175982@qq.com 公司传真: 0755-23765341	PART. NO: ST-FH-200-0098
	LINEAR	ANGLES	APPROVED				DWG. NO:
UNIT: MM	0.00±0.20	X° REF±6°	DESIGNER			TITLE: Pitch2.0mm Female Header, Quad Row, Plastic Height 6.35mm, DIP(Y)	REV: A0 SHEET: 1/1
SIZE: A4	0.000±0.10	X° X'±2°	DRAWN	肖坤权	2017.06.16		