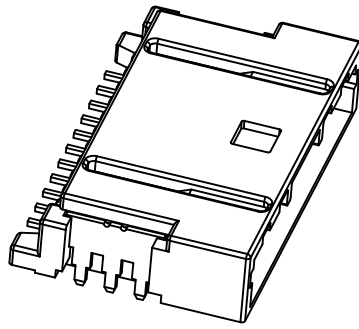
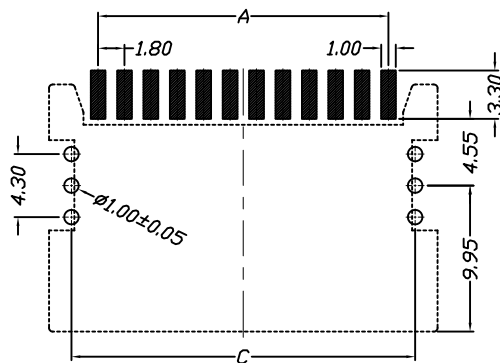
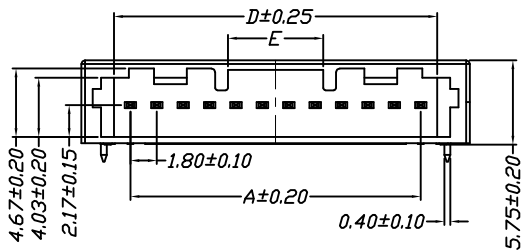
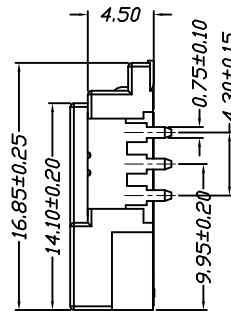
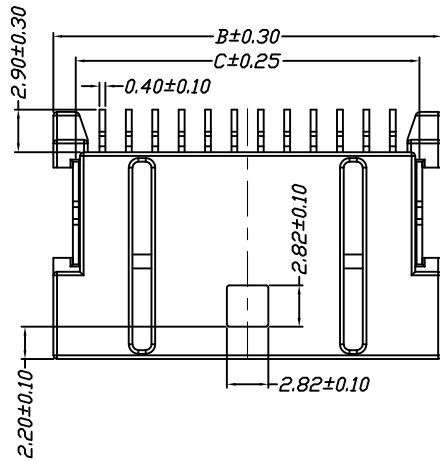


仅供参考

REV.	REVISION RECORD	DATE
A0	新图面发行	2017.06.16



Specifications:  
 Voltage Rating : 250V AC/DC  
 Current Rating : 1A AC,DC  
 Withstand Voltage : 1000V AC/minute  
 Contact Resistance : 20mΩ(MAX.)  
 Insulation Resistance : 1000MΩ(MIN.)  
 Temperature Range : -40°C~+120°C



Recommended PCB pattern

Poles	Dim A	Dim B	Dim C	Dim D	Dim E
4	5.40	12.10	9.03	7.64	2.90
5	7.20	13.90	10.83	9.44	2.90
6	9.00	15.70	12.63	11.24	2.90
7	10.80	17.50	14.43	13.04	2.90
8	12.60	19.30	16.23	14.84	2.90
9	14.40	21.10	18.03	16.64	2.90
10	16.20	22.90	19.83	18.44	6.50
11	18.00	24.70	21.63	20.24	6.50
12	19.80	26.50	23.43	22.04	6.50
13	21.60	28.30	25.23	23.84	6.50
14	23.40	30.10	27.03	25.64	6.50
15	25.20	31.90	28.83	27.44	6.50
16	27.00	33.70	30.63	29.24	6.50
17	28.80	35.50	32.43	31.04	6.50
18	30.60	37.30	34.23	32.84	6.50
19	32.40	39.10	36.03	34.64	6.50
20	34.20	40.90	37.83	36.44	6.50

Material	Color	PIN Material
LCP/PA,UL94V-0	BLACK	Bronze/Gold&Ni-plated

	GENERAL TOLERANCES		SCALE: 1:1	NAME	DATE
	LINEAR	ANGLES			
UNIT: MM	0.00±0.25	X° ±3°	APPROVED		
SIZE: A4	0.000±0.15	X° X'±2°	DESIGNER		
			DRAWN	肖坤权	2017.06.16

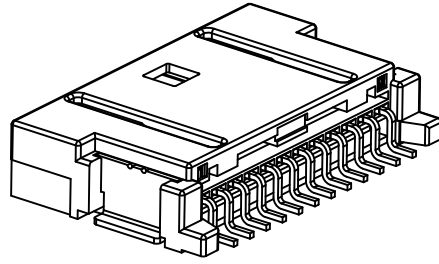
深圳市思拓展电子有限公司  
 SHENZHEN SINOTOP ELECTRONICS CO., LTD  
 公司网址: www.szsituo.cn 公司电话: 0755-23765350  
 邮箱: 2850175982@qq.com 公司传真: 0755-23765341

PART. NO:	STP41801W90-NPA-B1-**	
DWG. NO:		
REV:	A0	SHEET: 1/1

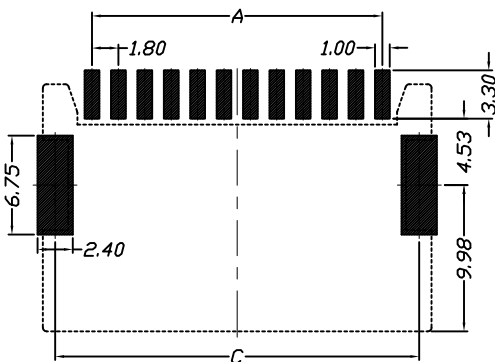
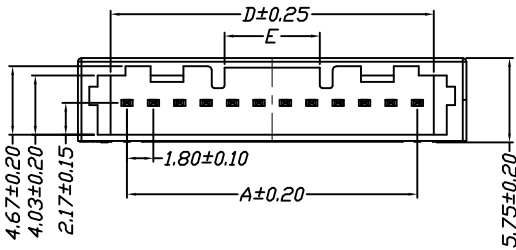
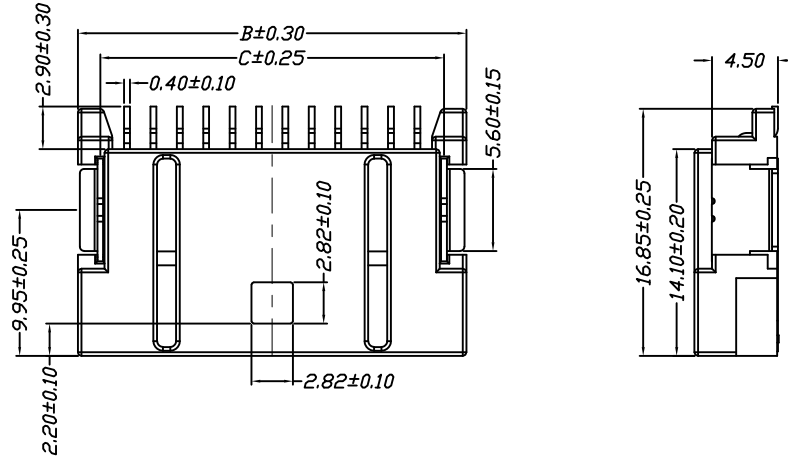
TITLE:  
1.80mm Pitch 90° Single Wafer SMT Type

仅供参考

REV.	REVISION RECORD	DATE
A0	新图面发行	2017.06.16



Specifications:  
 Voltage Rating : 250V AC/DC  
 Current Rating : 1A AC,DC  
 Withstand Voltage : 1000V AC/minute  
 Contact Resistance : 20mΩ(MAX.)  
 Insulation Resistance : 1000MΩ(MIN.)  
 Temperature Range : -40°C~+120°C



Recommended PCB pattern

Poles	Dim A	Dim B	Dim C	Dim D	Dim E
4	5.40	12.10	9.03	7.64	2.90
5	7.20	13.90	10.83	9.44	2.90
6	9.00	15.70	12.63	11.24	2.90
7	10.80	17.50	14.43	13.04	2.90
8	12.60	19.30	16.23	14.84	2.90
9	14.40	21.10	18.03	16.64	2.90
10	16.20	22.90	19.83	18.44	6.50
11	18.00	24.70	21.63	20.24	6.50
12	19.80	26.50	23.43	22.04	6.50
13	21.60	28.30	25.23	23.84	6.50
14	23.40	30.10	27.03	25.64	6.50
15	25.20	31.90	28.83	27.44	6.50
16	27.00	33.70	30.63	29.24	6.50
17	28.80	35.50	32.43	31.04	6.50
18	30.60	37.30	34.23	32.84	6.50
19	32.40	39.10	36.03	34.64	6.50
20	34.20	40.90	37.83	36.44	6.50

Material	Color	PIN Material
LCP/PA,UL94V-0	BLACK	Bronze/Gold&Ni-plated

	GENERAL TOLERANCES		SCALE: 1:1	NAME	DATE
	LINEAR	ANGLES			
0.0±0.35	X° REF±6°	APPROVED			
UNIT: MM	0.00±0.25	X° ±3°	DESIGNER		
SIZE: A4	0.000±0.15	X° X'±2°	DRAWN	肖坤权	2017.06.16



深圳市思拓展电子有限公司  
 SHENZHEN SINOTOP ELECTRONICS CO., LTD

公司网址: www.szsituo.cn 公司电话: 0755-23765350  
 邮箱: 2850175982@qq.com 公司传真: 0755-23765341

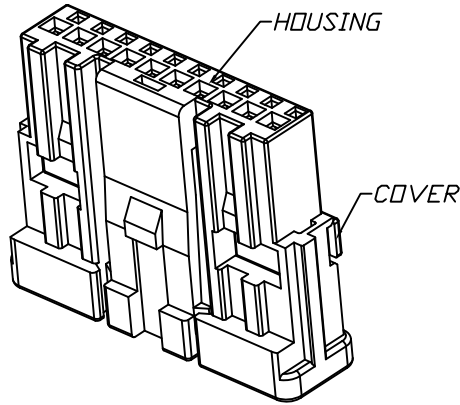
TITLE:  
 1.80mm PITCH 90° Single Wafer SMT Type

PART. NO:	STP41801W90-NPA-B2-**
DWG. NO:	
REV:	A0
SHEET:	1/1

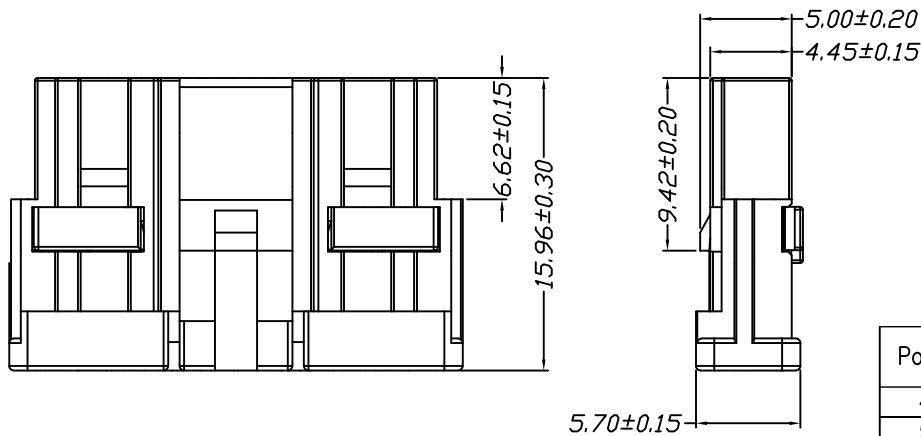
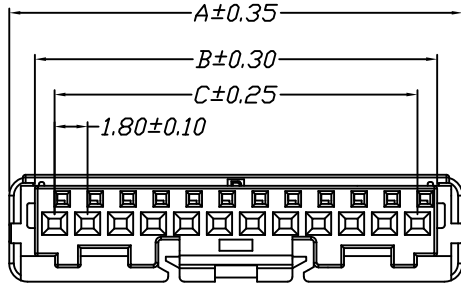
A B C D E F G H

仅供参考

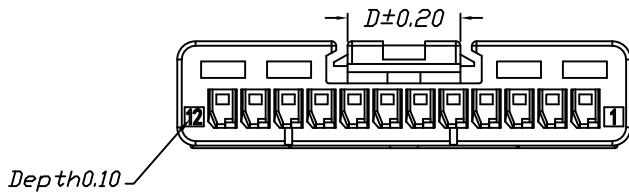
REV.	REVISION RECORD	DATE
A0	新图面发行	2017.06.16



Specifications:  
 Voltage Rating : 250V AC/DC  
 Current Rating : 1A AC,DC  
 Withstand Voltage : 1000V AC/minute  
 Contact Resistance : 20mΩ(MAX.)  
 Insulation Resistance : 1000MΩ(MIN.)  
 Temperature Range : -40°C~+120°C



Poles	Dimensions			
	A	B	C	D
4	10.34	7.54	5.54	2.56
5	12.14	9.34	7.20	2.56
6	13.94	11.14	9.00	2.56
7	15.74	12.94	10.80	2.56
8	17.54	14.74	12.60	2.56
9	19.34	16.54	14.40	2.56
10	21.14	18.34	16.20	6.16
11	22.94	20.14	18.00	6.16
12	24.74	21.94	19.80	6.16
13	26.54	23.74	21.60	6.16
14	28.34	25.54	23.40	6.16
15	30.14	27.34	25.20	6.16
16	31.94	29.14	27.00	6.16
17	33.74	30.94	28.80	6.16
18	35.54	32.74	30.60	6.16
19	37.34	34.54	32.40	6.16
20	39.14	36.34	34.20	6.16



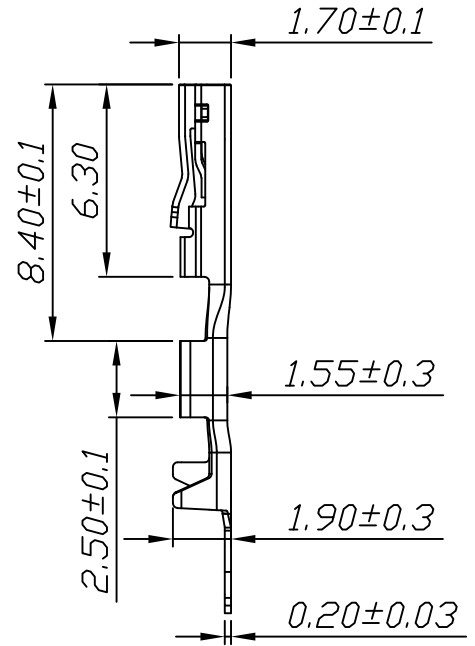
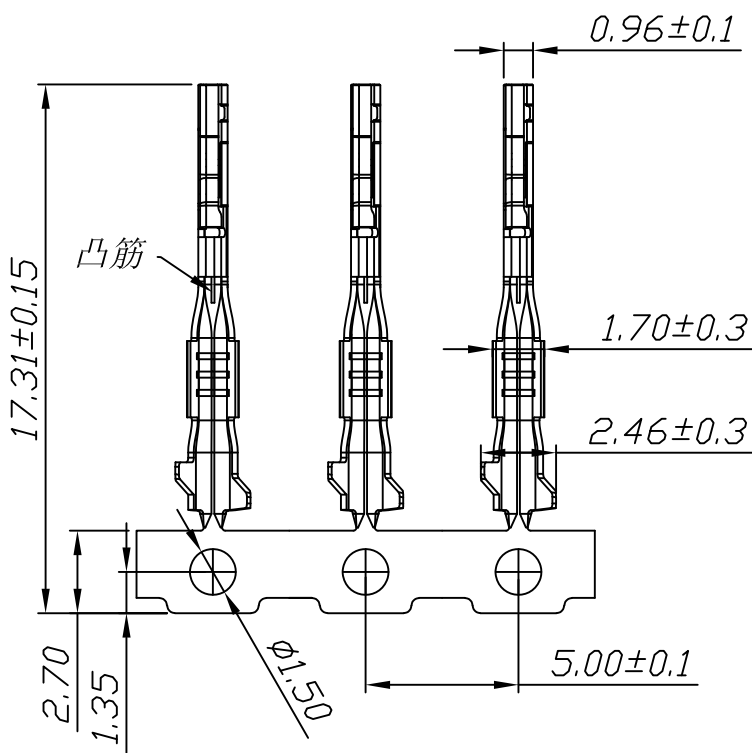
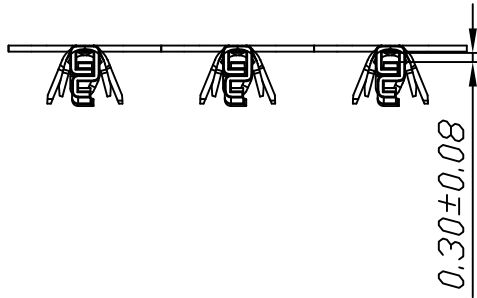
Material	Color
PA,UL94V-0	BLACK

	GENERAL TOLERANCES		SCALE: 1:1	NAME	DATE	深圳市思拓展电子有限公司 SHENZHEN SINOTOP ELECTRONICS CO., LTD 公司地址: WWW.SZSITUAO.CN 公司电话: 0755-23765350 邮箱: 2850175982@qq.com 公司传真: 0755-23765341	PART. NO: STP41801H00-NPA-G2-PA	
	LINEAR	ANGLES	APPROVED				DWG. NO:	
	0.0±0.35	X° REF±6°	DESIGNER					
	UNIT: MM	0.00±0.25	X° ±3°	DRAWN	肖坤权		2017.06.16	REV: A0
SIZE: A4	0.000±0.15	X° X'±2°	TITLE: 1. 80mm PITCH Housing					

仅供参考

REV.	REVISION RECORD	DATE
A0	新图面发行	2017.06.16

Specifications:  
 Voltage Rating : 250V AC/DC  
 Current Rating : 1A AC,DC  
 Withstand Voltage : 1000V AC/minute  
 Contact Resistance : 20mΩ(MAX.)  
 Insulation Resistance : 1000MΩ(MIN.)  
 Temperature Range : -40°C~+120°C



Material	Finish
C5191R-1/2H (T=0.20)	Gold-plated

	GENERAL TOLERANCES		SCALE: 1:1	NAME	DATE
	LINEAR	ANGLES	APPROVED		
UNIT: MM	0.00±0.25	X° REF±6°	DESIGNER		
SIZE: A4	0.000±0.15	X° X'±2°	DRAWN	肖坤权	2017.06.16

深圳市思拓展电子有限公司  
 SHENZHEN SINOTOP ELECTRONICS CO., LTD  
 公司网址: www.szstuo.cn 公司电话: 0755-23765350  
 邮箱: 2850175982@qq.com 公司传真: 0755-23765341

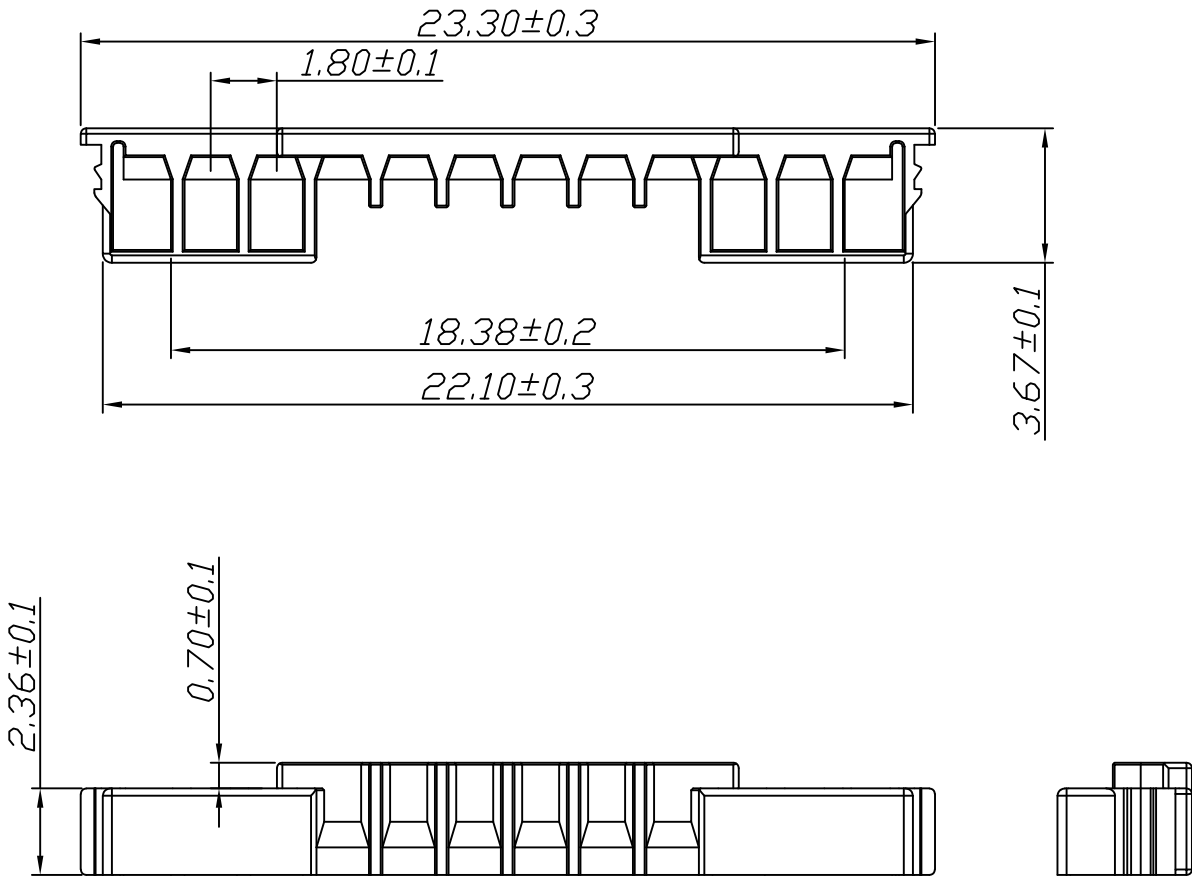
TITLE:  
1.80mm PITCH Terminal

PART. NO: STP41801T0P-**-B	
DWG. NO:	
REV: A0	SHEET: 1/1

仅供参考

REV.	REVISION RECORD	DATE
A0	新图面发行	2017.06.16

Specifications:  
 Voltage Rating : 250V AC/DC  
 Current Rating : 1A AC,DC  
 Withstand Voltage : 1000V AC/minute  
 Contact Resistance : 20mΩ(MAX.)  
 Insulation Resistance : 1000MΩ(MIN.)  
 Temperature Range : -40°C~+120°C



Material	Color
PA66,UL94V-0	BLACK

	GENERAL TOLERANCES		SCALE: 1:1	NAME	DATE	深圳市思拓展电子有限公司 SHENZHEN SINOTOP ELECTRONICS CO., LTD 公司网址: www.szstuo.cn 公司电话: 0755-23765350 邮箱: 2850175982@qq.com 公司传真: 0755-23765341	PART. NO: STP41801B00-NPA-66
	LINEAR	ANGLES	APPROVED				DWG. NO:
UNIT: MM	0.0±0.35	X° REF±6°	DESIGNER			TITLE: 1.80mm PITCH Side Cover	REV: A0 SHEET: 1/1
SIZE: A4	0.000±0.15	X° X'±2°	DRAWN	肖坤权	2017.06.16		