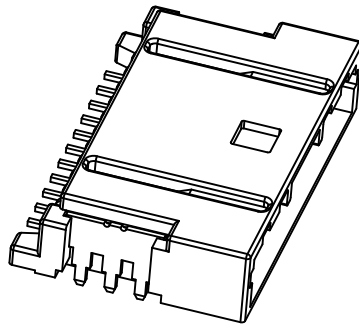
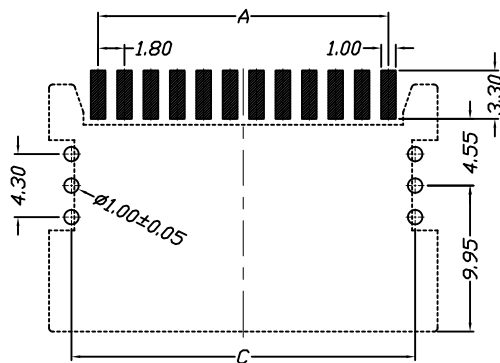
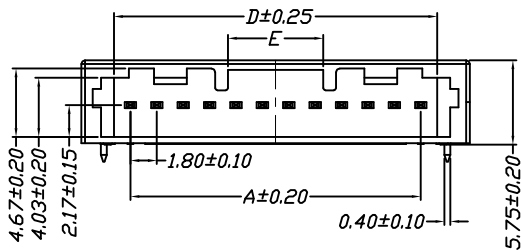
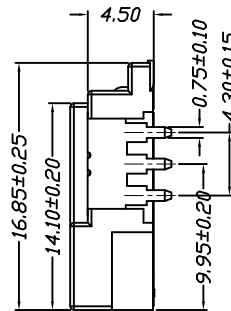
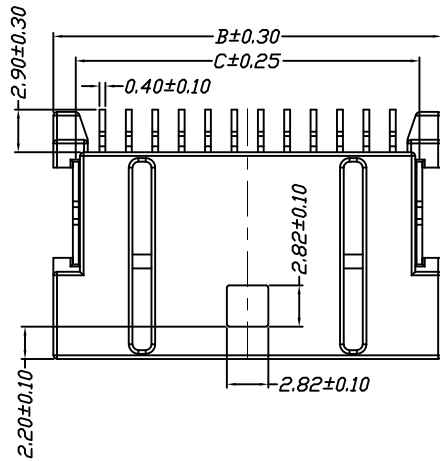


仅供参考

REV.	REVISION RECORD	DATE
A0	新图面发行	2017.06.16



Specifications:
 Voltage Rating : 250V AC/DC
 Current Rating : 1A AC,DC
 Withstand Voltage : 1000V AC/minute
 Contact Resistance : 20mΩ(MAX.)
 Insulation Resistance : 1000MΩ(MIN.)
 Temperature Range : -40°C~+120°C



Recommended PCB pattern

Poles	Dim A	Dim B	Dim C	Dim D	Dim E
4	5.40	12.10	9.03	7.64	2.90
5	7.20	13.90	10.83	9.44	2.90
6	9.00	15.70	12.63	11.24	2.90
7	10.80	17.50	14.43	13.04	2.90
8	12.60	19.30	16.23	14.84	2.90
9	14.40	21.10	18.03	16.64	2.90
10	16.20	22.90	19.83	18.44	6.50
11	18.00	24.70	21.63	20.24	6.50
12	19.80	26.50	23.43	22.04	6.50
13	21.60	28.30	25.23	23.84	6.50
14	23.40	30.10	27.03	25.64	6.50
15	25.20	31.90	28.83	27.44	6.50
16	27.00	33.70	30.63	29.24	6.50
17	28.80	35.50	32.43	31.04	6.50
18	30.60	37.30	34.23	32.84	6.50
19	32.40	39.10	36.03	34.64	6.50
20	34.20	40.90	37.83	36.44	6.50

Material	Color	PIN Material
LCP/PA,UL94V-0	BLACK	Bronze/Gold&Ni-plated

	GENERAL TOLERANCES		SCALE: 1:1	NAME	DATE
	LINEAR	ANGLES			
UNIT: MM	0.00±0.25	X° ±3°	APPROVED		
SIZE: A4	0.000±0.15	X° X'±2°	DESIGNER		
			DRAWN	肖坤权	2017.06.16

深圳市思拓展电子有限公司
 SHENZHEN SINOTOP ELECTRONICS CO., LTD
 公司网址: www.szsituo.cn 公司电话: 0755-23765350
 邮箱: 2850175982@qq.com 公司传真: 0755-23765341

PART. NO:	STP41801W90-NPA-B1-**	
DWG. NO:		
REV:	A0	SHEET: 1/1

A B C D E F G H